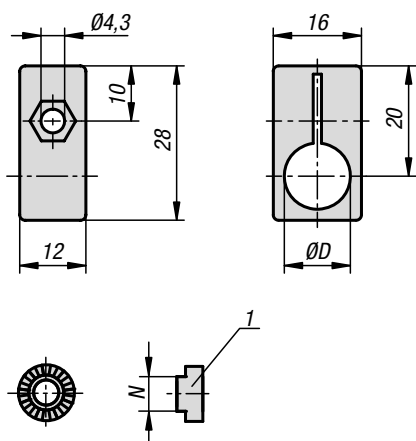


Sensor holders



Material:
Polyamide fibreglass reinforced.

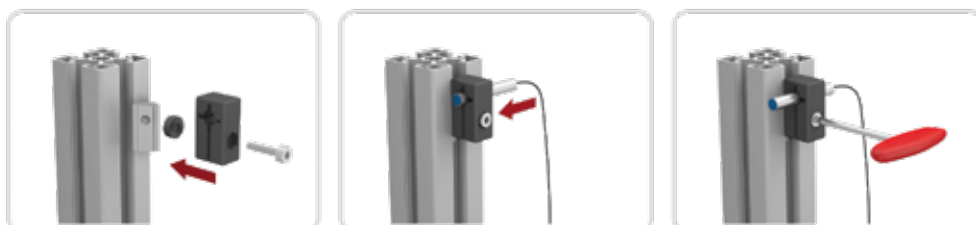
Version:
Black.

Sample order:
K1281.080

Note:
For fastening sensors and limit switches to aluminium profiles or panel elements.

Fastening pieces are available for various aluminium profile slot sizes. The fastening piece provides a positive rotation lock and can be adjusted in 15 increments. With no fastening piece the sensor holder can be infinitely adjusted in the angle.

Drawing reference:
1) Fastening piece



KIPP Sensor holders

Order No.	Item	D	N
K1281.080	Sensor Holder	8	-
K1281.120	Sensor Holder	12	-
K1281.905	Fastening Piece	-	5
K1281.906	Fastening Piece	-	6
K1281.908	Fastening Piece	-	8
K1281.910	Fastening Piece	-	10