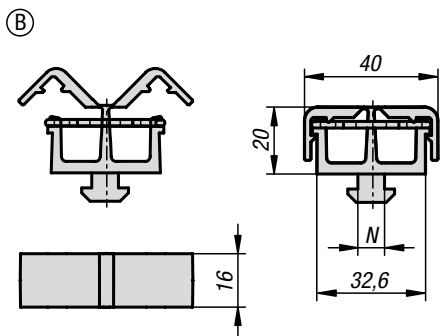
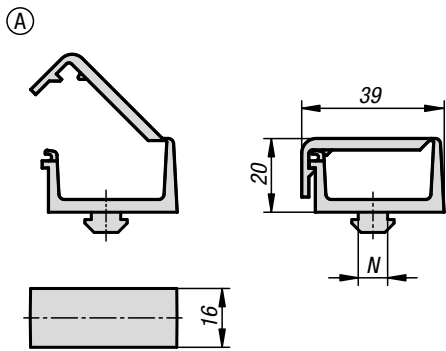


Cable clips with T-slot key



Material:
Polyamide.
O-ring FPM 70.

Version:
Black.

Sample order:
K1280.1108

Note:
The cable clip is a fastening component for cables and hoses with a diameter up to 12 mm.

The clip is mounted by inserting the T-key into a T-slot and twisting through 90°. The cables are held in place by the stretched O-ring.

Form A: with one channel.
Form B: with two separate channels.



KIPP Cable clips with T-slot key

Order No. Form A	Order No. Form B	Version 2	Slot width	N
K1280.1108	K1280.2108	type I	8	8
K1280.1208	K1280.2208	type B	8	8
K1280.1210	K1280.2210	type B	10	10