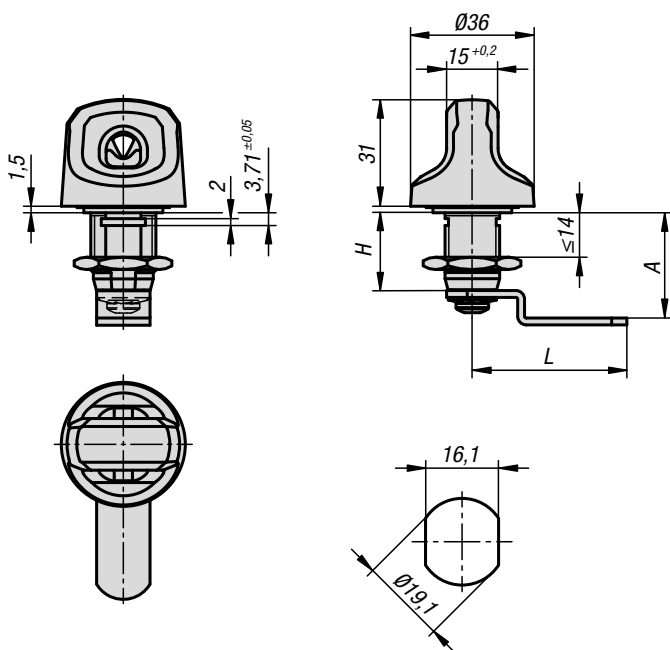


Quarter-turn locks

free-turning



Material:

Housing and actuator die-cast zinc.
Nut brass.
Tongue steel.

Version:

Housing trivalent blue passivated.
Lever black KTL coated.
Tongue electro zinc-plated.

Sample order:

K1275.22224

Note:

Particularly suitable for steel cabinets, lockers in changing rooms, schools, leisure facilities and industrial companies.

Method of operation:

The integrated free-turning function provides higher security against violent actuation compared to conventional locks.

Assembly:

The quarter-turn lock can be installed pre-assembled.

Attention:

Optimum functionality is guaranteed with padlocks with a shackle diameter of Ø6 – Ø8 mm.



KIPP Quarter-turn lock, free-turning

Order No.	A	L	H
K1275.22224	22,4	44	22,4
K1275.22248	24,8	42	22,4
K1275.22304	30,4	45	22,4
K1275.22359	35,9	49	22,4
K1275.22424	42,4	45	22,4