

## Toggle clamps latch horizontal

heavy-duty with catch plate



**Material:**

Steel or stainless steel.

**Version:**

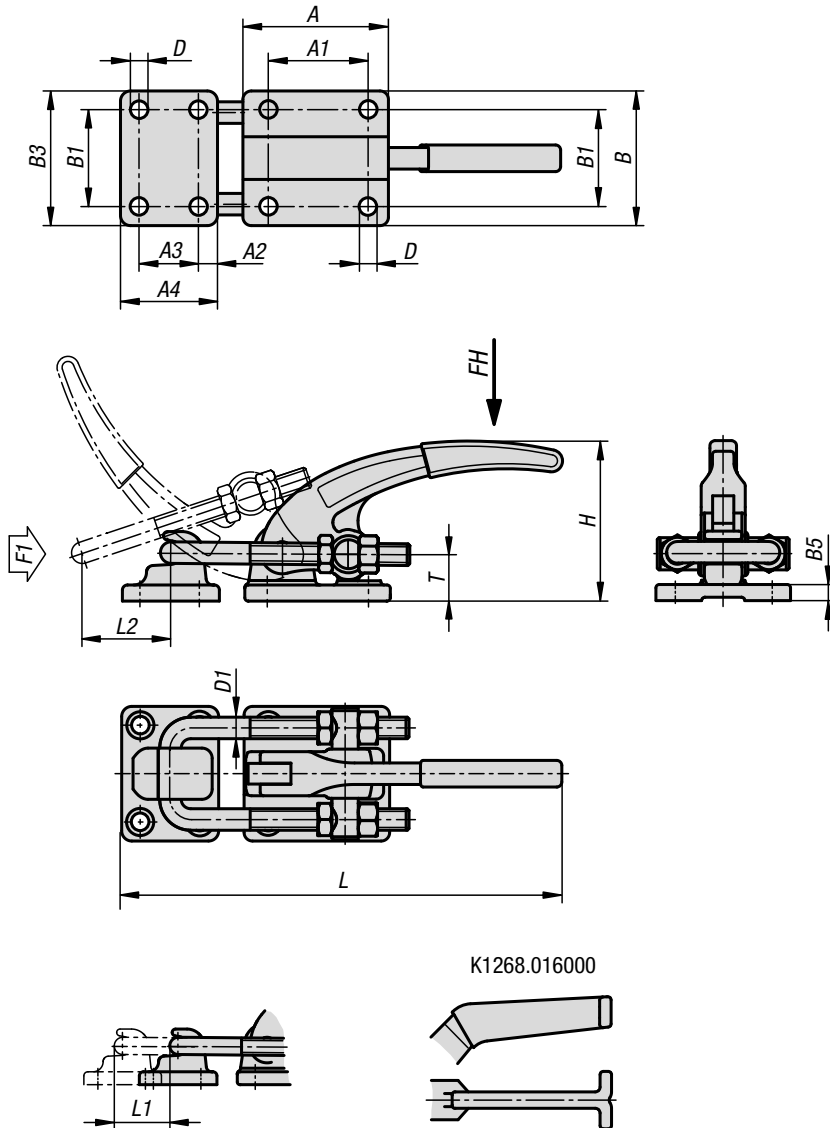
Electro zinc-plated steel.  
Bright stainless steel.  
Plastic handle, oil-resistant.

**Sample order:**

K1268.016000

**Note:**

Latch toggle clamps are especially suitable for quickly closing and locking covers and hatches.  
The travel can be set by altering the hasp length.



K1268.016000

### KIPP Toggle clamps, latch, horizontal, heavy-duty with catch plate

Order No.	Main material	Hand force FH N	Traction force F1 N	A	A1	A2	A3	A4	B	B1	B3	B5	D	D1	H	Travel path L min.	Travel path L max.	L1	Clamping travel L2	T
K1268.016000	steel	300	16000	85,8	57,2	-	34,9	57,2	79,4	57,2	80,5	9,6	10,3	9,6	95,5	274,5	297,3	22,8	87	28,6
K1268.030000	steel	500	30000	85,8	57,2	11,2	34,9	57,2	79,4	57,2	80,5	9,6	10,3	12,7	93,8	249,6	278	28,4	50	28,6
K1268.130000	stainless steel	500	30000	85,8	57,2	11,2	34,9	57,2	79,4	57,2	80,5	9,6	10,3	12,7	93,8	249,6	278	28,4	50	28,6