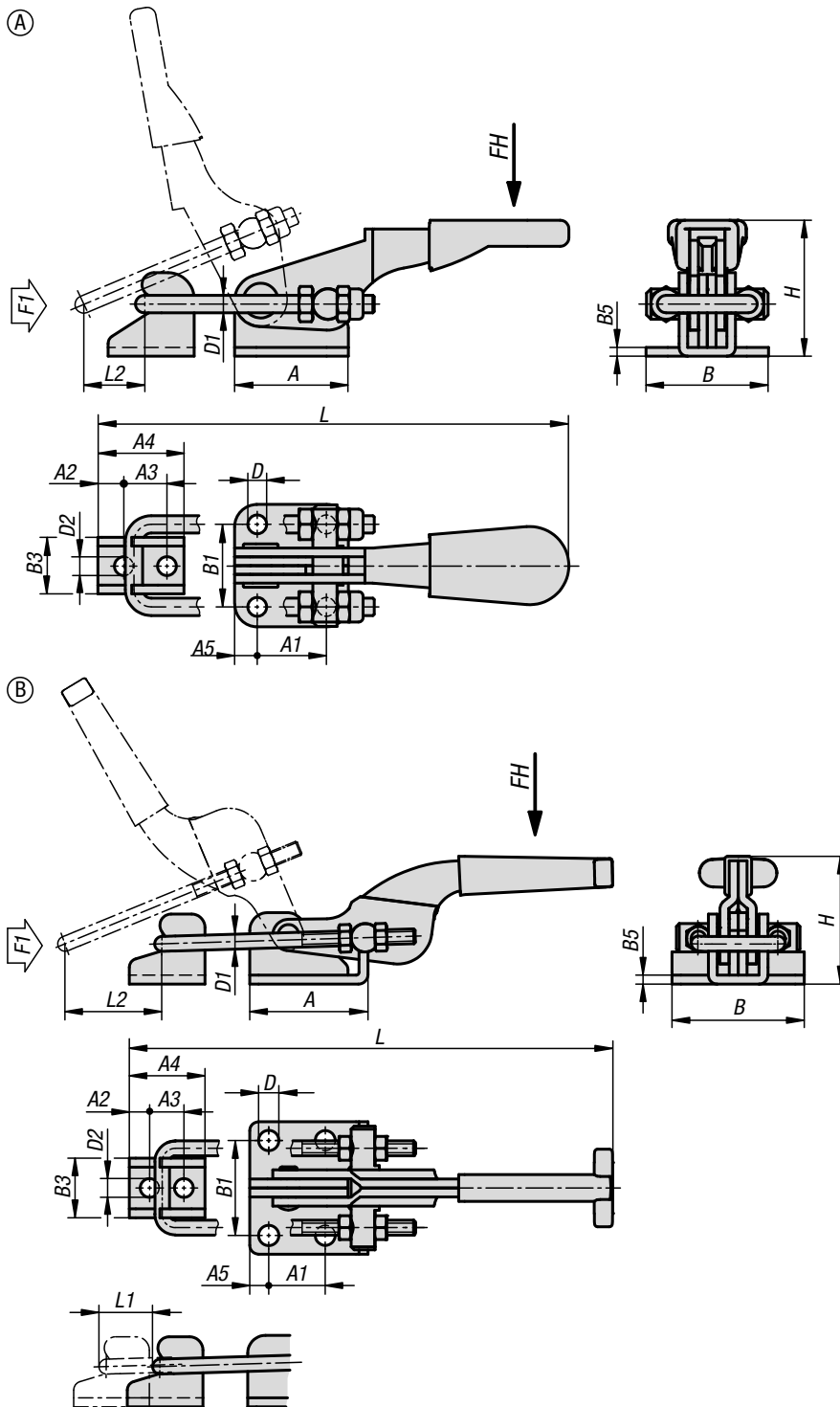


## Toggle clamps latch horizontal

heavy-duty with catch plate



**Material:**  
Steel. Body and catch plate cast steel.  
Grip ductile iron (SGI).

**Version:**  
Trivalent passivated.  
Plastic grip oil-resistant.

**Sample order:**  
K1262.020000

**Note:**  
Horizontal latch toggle clamps are especially suitable for quickly closing and locking covers and hatches. The travel can be set by altering the hasp length.

### KIPP Toggle clamps, latch, horizontal, heavy-duty with catch plate

Order No.	Opening angle of handle	Hand force FH N	Traction force F1 N	Retaining force F2 N	Travel path L min.	Travel path L max.	Travel path L1 min.	Travel path L1 max.	Clamping travel L2
K1262.020000	138°	600	16500	20000	270	320	38	88	60
K1262.040000	120°	600	19000	40000	335	395	52	112	70

Order No.	A	A1	A2	A3	A4	B	B1	B3	B5	D	D1	H	T
K1262.020000	59,5	24	37	18	65	74	50	28	10	10,4	10	114,3	27
K1262.040000	82	36	44	22	78	84	56	34	12	12,4	12	131	33,5