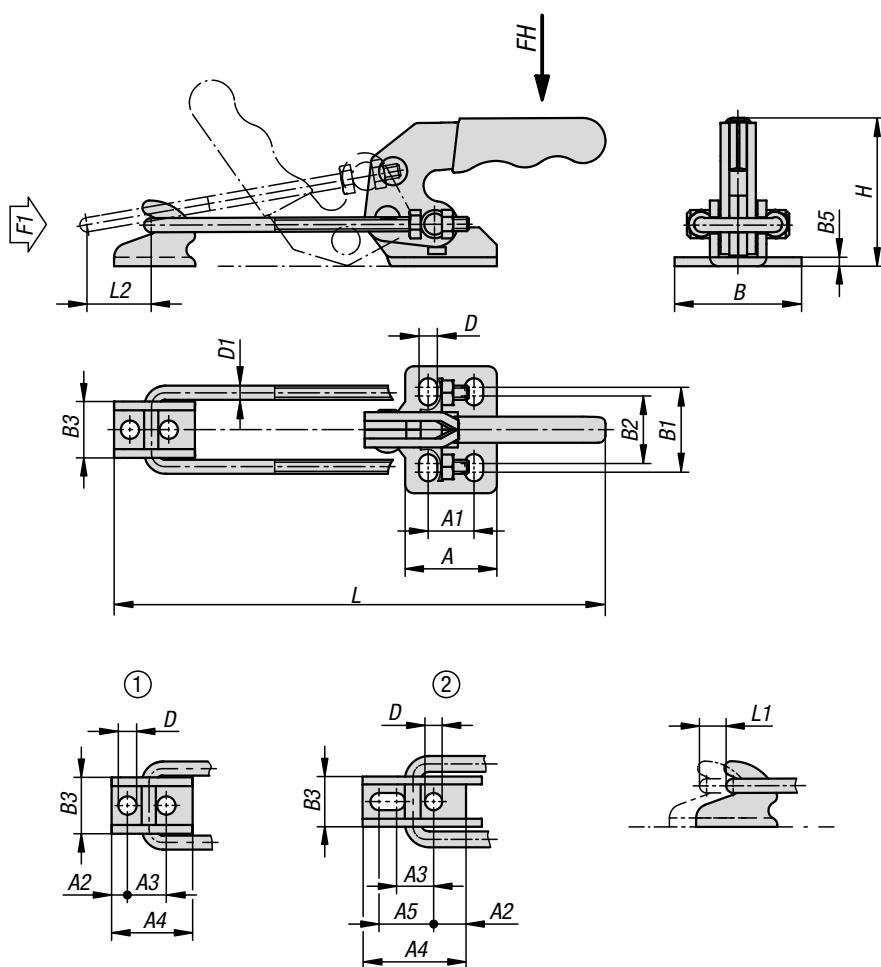


Toggle clamps latch horizontal

with catch plate



Material:

Steel or stainless steel.

Version:

Electro zinc-plated steel.
Bright stainless steel.
Plastic handle, oil-resistant.

Sample order:

K1260.02000

Note:

Latch toggle clamps are especially suitable for quickly closing and locking covers and hatches.
The travel can be set by altering the hasp length.

KIPP Toggle clamps latch horizontal with catch plate

Order No.	Main material	hole arrangement	Traction force F1 N	Hand force FH N	A	A1	A2	A3	A4	A5	B	B1	B2	B3	B5	D	D1	H	Travel path L min.	Travel path L max.	L1	Clamping travel L2
K1260.02000	steel	1	2000	100	26	13	4,5	11	23	-	36	24	19	16	2,5	5,2	4	42	101,7	142,3	40,6	16
K1260.04000	steel	2	4000	150	35	19	12,2	14	39,1	20,6	48	32	24,8	19	3	6,5	6	60,5	142,4	192,2	49,8	24
K1260.07000	steel	1	7000	200	51	32	8	19	40	-	60	45	36	28	4	8,5	8	85,6	177,7	234	56,3	32
K1260.12000	stainless steel	1	2000	100	26	13	4,5	11	23	-	36	24	19	16	2,5	5,2	4	42	101,7	142,3	40,6	16
K1260.14000	stainless steel	2	4000	150	35	19	12,2	14	39,1	20,6	48	32	24,8	19	3	6,5	6	60,5	142,4	192,2	49,8	24
K1260.17000	stainless steel	1	7000	200	51	32	8	19	40	-	64	45	36	28	4	8,6	8	76,6	177,7	234	56,3	32