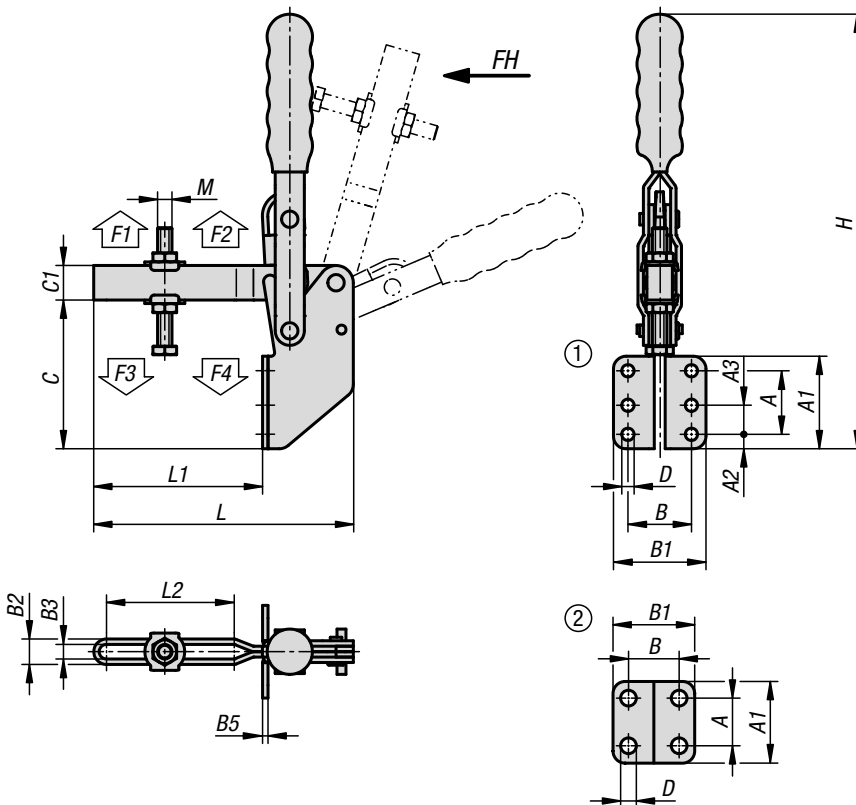


Toggle clamps vertical

with angled foot and adjustable clamping spindle



Material:
Steel.

Version:
Electro zinc-plated steel.
Plastic handle, oil-resistant.

Sample order:
K1259.01000

Note:
A neoprene thrust pad is supplied with versions K1259.01000 and K1259.02000.

Accessories:

- K0688
- K0689
- K0690
- K0101
- K1442
- K0102
- K0103
- K1443
- K0104
- K0106
- K1441



KIPP Toggle clamps vertical with angled foot and adjustable clamping spindle

Order No.	Opening angle of holding arm	Opening angle of handle	Hand force FH N	Retaining force F1 N	Retaining force F2 N	Clamping force F3 N	Clamping force F4 N
K1259.01000	96°	69°	50	700	1000	500	800
K1259.02000	108°	70°	100	1000	2000	900	1300
K1259.03600	106°	67°	100	1800	3600	900	1800

Order No.	A	A1	A2	A3	B	B1	B2	B3	B5	C	C1	D	H	L	L1	L2	M
K1259.01000	14	29	-	-	17,5	28	10	5	2,5	44	10	4,9	121	67	31	26	M5x35
K1259.02000	19	35	-	-	26	42	11	6	3	64	13	5,5	170	79	35	29,5	M6x50
K1259.03600	35	51	8	16	35	51	14,8	8,8	3	82	19	6,8	244	143	93	70	M8x60