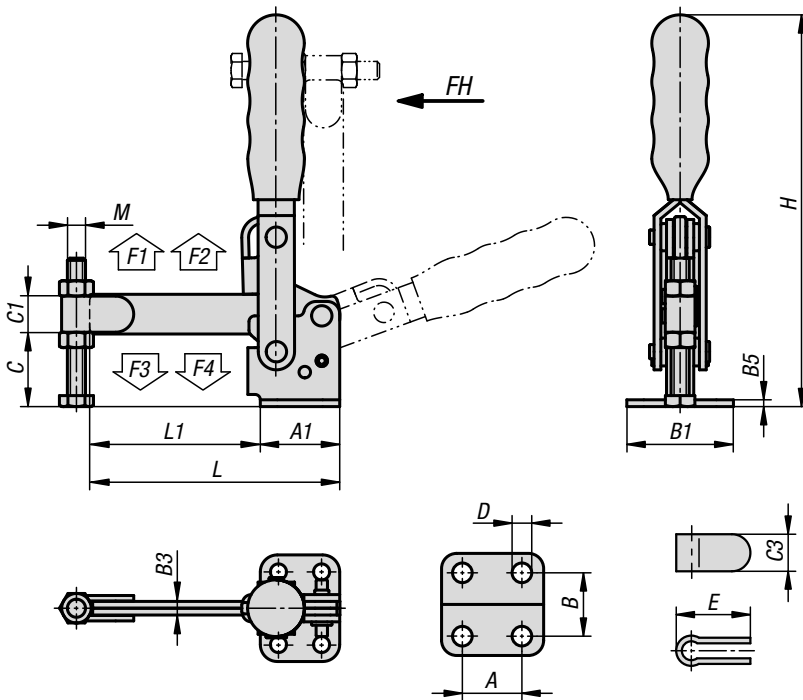


## Toggle clamps vertical

with flat foot and full holding arm



**Material:**  
Steel.

**Version:**  
Electro zinc-plated steel.  
Plastic handle, oil-resistant.

**Sample order:**  
K1258.04000

**Note:**  
A neoprene thrust pad is supplied with version K1258.04000. spindle bracket weldable.

- Accessories:**
- K0688
  - K0689
  - K0690
  - K0101
  - K1442
  - K0102
  - K0103
  - K1443
  - K0104
  - K0106
  - K1431



### KIPP Toggle clamps vertical with flat foot and full holding arm

Order No.	Opening angle of holding arm	Opening angle of handle	Hand force FH N	Retaining force F1 N	Retaining force F2 N	Clamping force F3 N	Clamping force F4 N
K1258.02600	90°	70°	150	1000	2600	800	1600
K1258.04000	112°	61°	250	2000	4000	1400	3000
K1258.04400	90°	70°	200	2200	4400	1400	2800
K1258.07000	90°	70°	250	3200	7000	1400	3000
K1258.08000	100°	50°	280	3000	8000	1800	3900

Order No.	A	A1	B	B1	B3	B5	C	C1	C3	D	E	H	L	L1	M
K1258.02600	19	35	32	47	6	3	32	17,5	16	7,1	31	173	111,9	73,9	M8x60
K1258.04000	31,8	49,2	45,3	64,3	8	3	44	19	20	8,7	40	206	140,3	91,1	M10x85
K1258.04400	32	50	45	64	8	4	42	22	20	8,3	40	218	148	98	M10x80
K1258.07000	32	53	45	64	10	5	51	25	23	8,7	44	226	178	128	M12x100
K1258.08000	50,8	76,2	69,8	95,2	10	8	82,1	31,8	32	12,3	50	303	234	157,8	M16x150