

Toggle clamps vertical

with flat foot and adjustable clamping spindle



Material:

Steel or stainless steel.

Version:

Electro zinc-plated steel.
Bright stainless steel.
Plastic handle, oil-resistant.

Sample order:

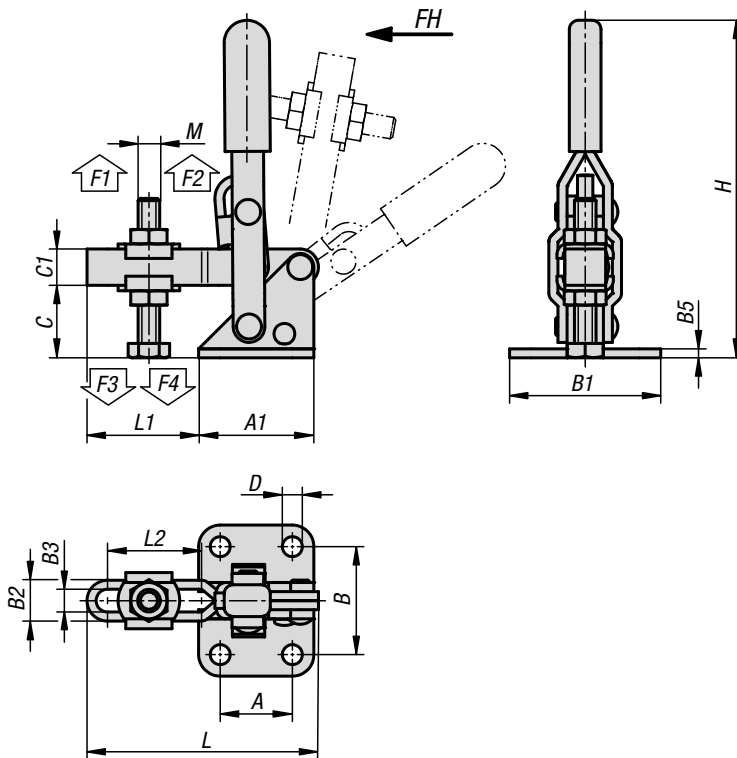
K1256.01000

Note:

A neoprene thrust pad is supplied with version K1256.01000.

Accessories:

- K0101
- K1442
- K0102
- K0103
- K1443
- K0106
- K1441



KIPP Toggle clamps vertical with flat foot and adjustable clamping spindle

Order No.	Main material	Opening angle of holding arm	Opening angle of handle	Hand force FH N	Retaining force F1 N	Retaining force F2 N	Clamping force F3 N	Clamping force F4 N
K1256.01000	steel	100°	56°	50	700	1000	500	700
K1256.11000	stainless steel	100°	56°	50	700	1000	500	700

Order No.	Main material	A	A1	B	B1	B2	B3	B5	C	C1	D	H	L	L1	L2	M
K1256.01000	steel	15,9	25,4	23,8	33,3	9	5	2	16	8	4,4	74,4	51	24,6	20,8	M5x37
K1256.11000	stainless steel	15,9	25,4	23,8	33,3	9	5	2	16	8	4,4	74,4	51	24,6	20,8	M5x30