

Toggle clamps mini vertical

with flat foot and fixed clamping spindle



Material:

Steel or stainless steel.

Version:

Electro zinc-plated steel.
Bright stainless steel.
Plastic handle, oil-resistant.

Sample order:

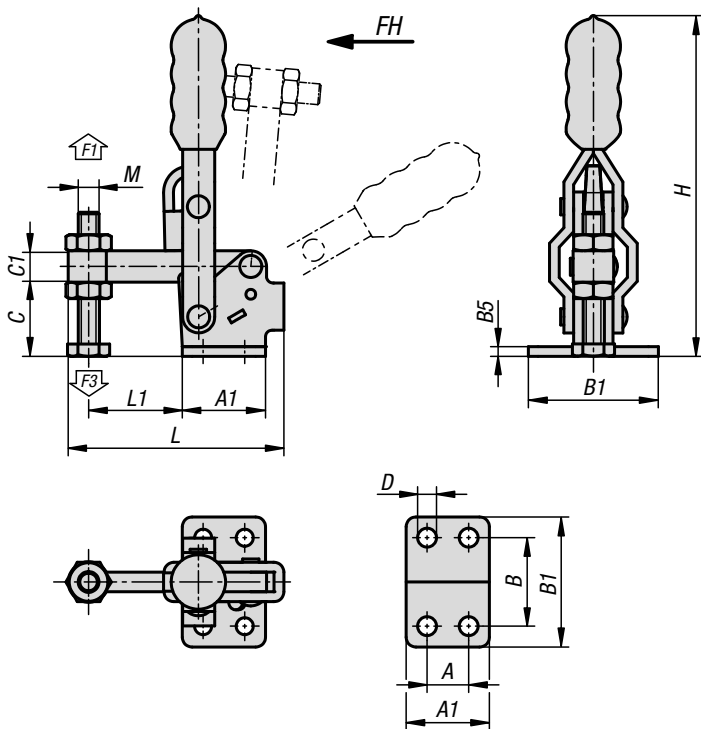
K1254.0800

Note:

A neoprene thrust pad is supplied with version K1254.0800.

Accessories:

- K0688
- K0689
- K0101
- K1442
- K0102
- K0103
- K1443
- K0104
- K0106



KIPP Toggle clamps mini vertical with flat foot and fixed clamping spindle

Order No.	Main material	Opening angle of holding arm	Opening angle of handle	Hand force FH N	Retaining force F1 N	Clamping force F3 N
K1254.0800	steel	95°	60°	100	800	600
K1254.1800	stainless steel	95°	60°	100	800	600

Order No.	Main material	A	A1	B	B1	B5	C	C1	D	H	L	L1	M
K1254.0800	steel	12,7	25,4	27	39,7	3	22,7	9,6	5,2	104	65,8	28,6	M6x44
K1254.1800	stainless steel	12,7	25,4	27	39,7	3	22,7	9,6	5,2	104	65,8	28,6	M6x40