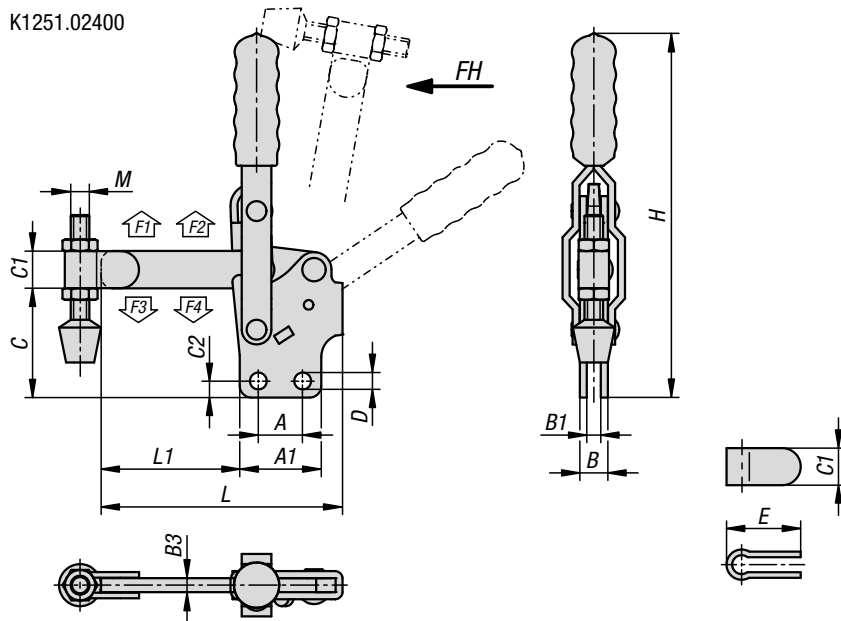


## Toggle clamps vertical

with straight foot and full holding arm

K1251.02400



**Material:**  
Steel.

**Version:**  
Electro zinc-plated steel.  
Plastic handle, oil-resistant.

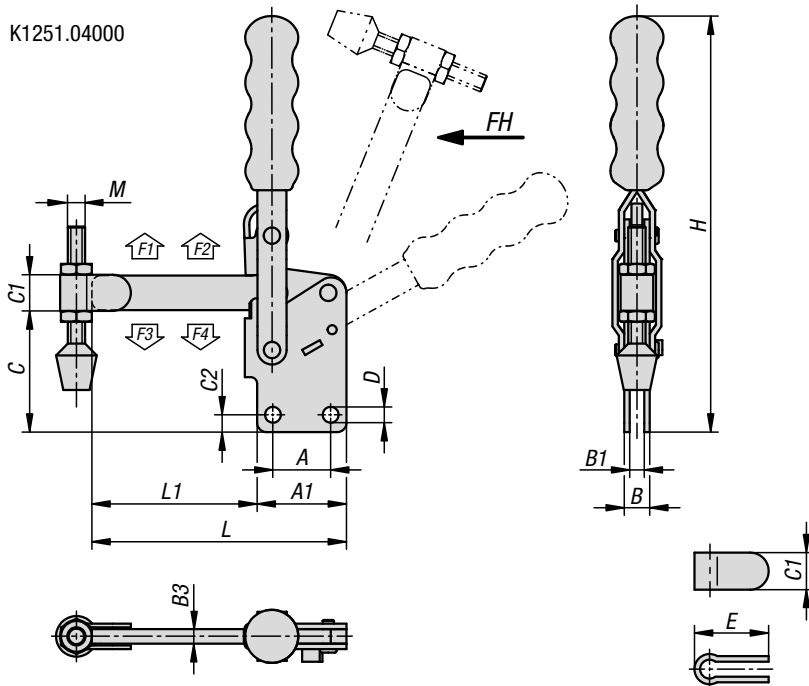
**Sample order:**  
K1251.04000

**Note:**  
The clamping spindle is supplied with a neoprene thrust pad.  
Spindle bracket is weldable.

**Accessories:**

- K0688
- K0689
- K0690
- K0101
- K1442
- K0102
- K0103
- K1443
- K0104
- K0106

K1251.04000



### KIPP Toggle clamps vertical with straight foot and full holding arm

Order No.	Opening angle of holding arm	Opening angle of handle	Hand force FH N	Retaining force F1 N	Retaining force F2 N	Clamping force F3 N	Clamping force F4 N
K1251.02400	100°	56°	150	1200	2400	800	1600
K1251.04000	112°	61°	250	2000	4000	1400	3000

Order No.	A	A1	B	B1	B3	C	C1	C2	D	E	H	L	L1	M
K1251.02400	19	34,9	12	6	6	46,8	16	7,1	7,2	31	156	103,4	59,4	M8x63
K1251.04000	31,8	49,2	14	8	8	67,2	19	9,5	8,7	40	229	140,3	91,1	M10x85