

Toggle clamps vertical

heavy-duty with fixed clamping spindle



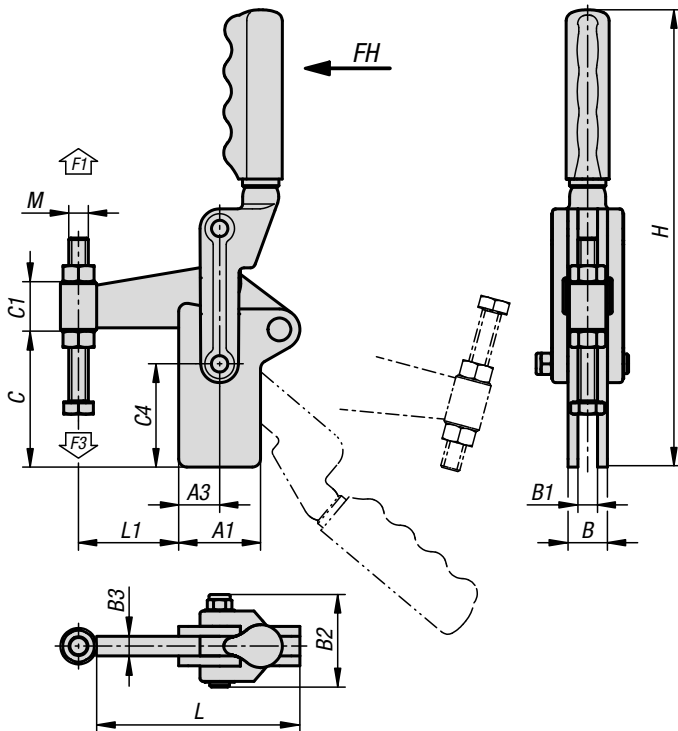
Material:
Steel.

Version:
Steel, hardened and passivated.
Plastic handle, oil-resistant.

Sample order:
K1250.007000

Note:
spindle bracket weldable.

Accessories:
K1442
K0102
K0103
K1443
K0106



KIPP Toggle clamps vertical heavy-duty with fixed clamping spindle

Order No.	Opening angle of holding arm	Opening angle of handle	Hand force FH N	Retaining force F1 N	Clamping force F3 N
K1250.007000	205°	130°	300	7000	1400
K1250.012000	195°	130°	500	12000	1400
K1250.014000	195°	130°	500	14000	1850

Order No.	A1	A3	B	B1	B2	B3	C	C1	C4	H	L	L1	M
K1250.007000	45	25	20	10	49,5	10	70	30	50	243	105	51,1	M10x80
K1250.012000	50	25	24	12	56,5	12	85	30	63	279	124	61,1	M12x100
K1250.014000	63	40	32	16	67,5	16	108	38	78	325	158	75	M16x150