

## Toggle clamps vertical

heavy duty with adjustable clamping spindle



**Material:**

Steel.

**Version:**

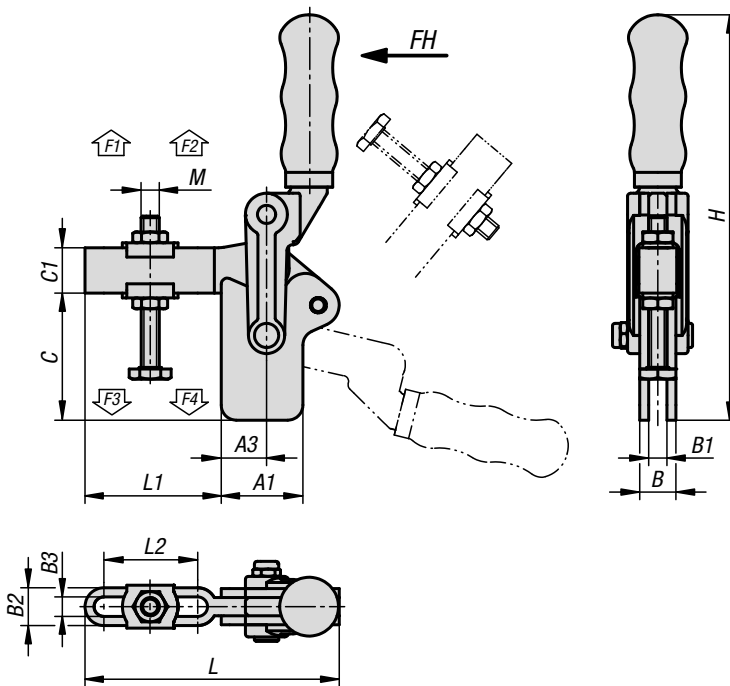
Steel, hardened and passivated.  
Plastic handle, oil-resistant.

**Sample order:**

K1245.06000

**Accessories:**

- K0688
- K0689
- K0101
- K1442
- K0102
- K0103
- K1443
- K0104
- K0106
- K1441



### KIPP Toggle clamps vertical heavy-duty with adjustable clamping spindle

Order No.	Opening angle of holding arm	Opening angle of handle	Hand force FH N	Retaining force F1 N	Retaining force F2 N	Clamping force F3 N	Clamping force F4 N
K1245.06000	210°	134°	200	3000	6000	800	900

Order No.	A1	A3	B	B1	B2	B3	C	C1	H	L	L1	L2	M
K1245.06000	27	15	12	6	12,5	6,5	42	15	137	84	45	31	M6x50