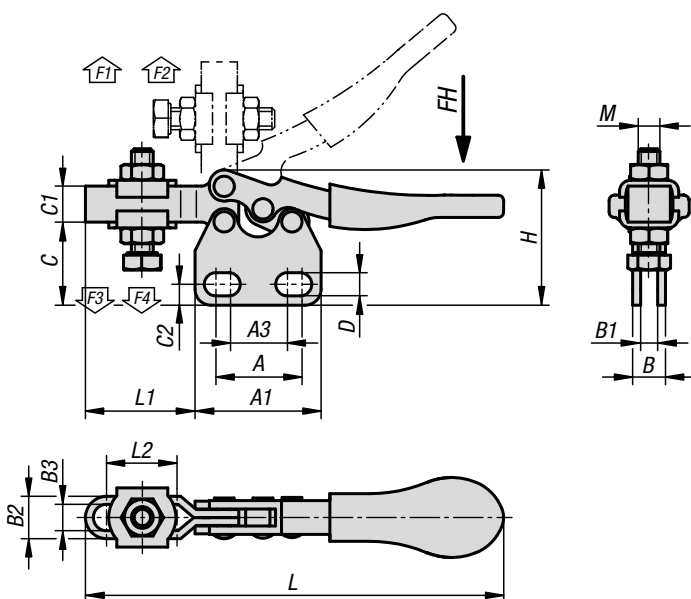


Toggle clamp mini, horizontal

with straight foot and adjustable clamping spindle



Material:
Steel.

Version:
Electro zinc-plated steel.
Plastic handle, oil-resistant.

Sample order:
K1243.0500

Accessories:
K0101
K1442
K0103
K0106
K1441

KIPP Toggle clamp mini, horizontal with straight foot and adjustable clamping spindle

Order No.	Opening angle of holding arm	Opening angle of handle	Hand force FH N	Retaining force F1 N	Retaining force F2 N	Clamping force F3 N	Clamping force F4 N
K1243.0500	90°	75°	50	250	500	150	350

Order No.	A	A1	A3	B	B1	B2	B3	C	C1	C2	D	H	L	L1	L2	M
K1243.0500	15,9	23,8	11,1	6	3	8	5	16	6,8	4	4,4	25,3	79	20,7	13,5	M4x20