

Toggle clamps horizontal

heavy duty with adjustable clamping spindle



Material:
Steel.

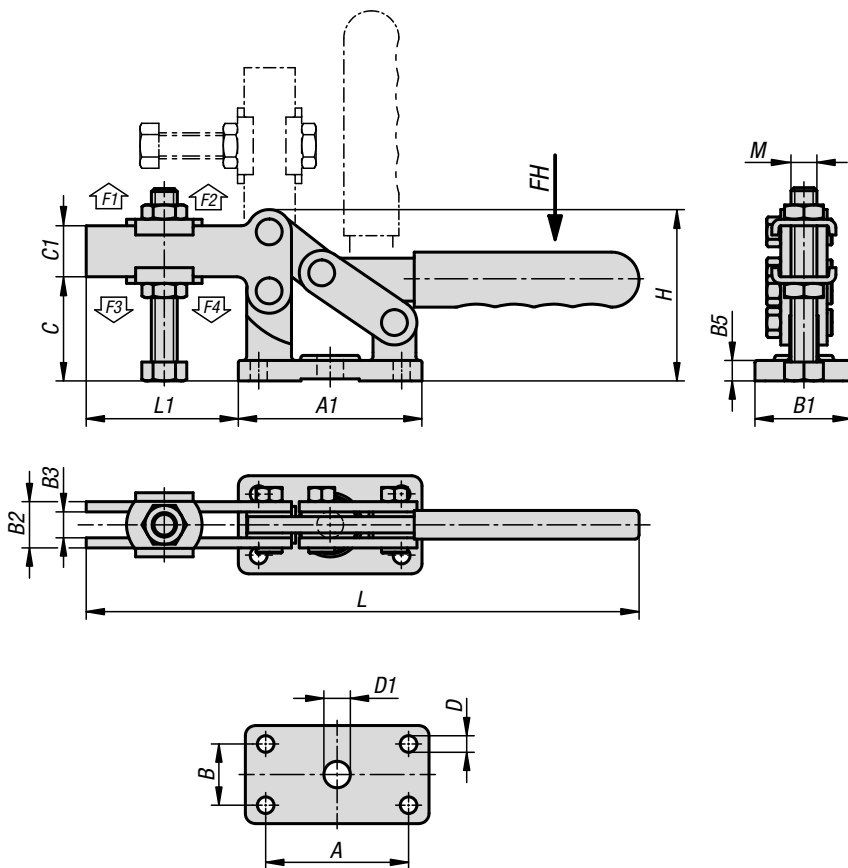
Version:
Electro zinc-plated steel.
Plastic handle, oil-resistant.

Sample order:
K1242.06000

Note:
The clamp can only be mounted from below using M8 studs and DIN 934 hexagon nuts, see sketch.

Accessories:

- K0688
- K0689
- K1442
- K0102
- K0103
- K0106
- K1441



KIPP Toggle clamps horizontal heavy-duty with adjustable clamping spindle

Order No.	Opening angle of holding arm	Opening angle of handle	Hand force FH N	Retaining force F1 N	Retaining force F2 N	Clamping force F3 N	Clamping force F4 N
K1242.06000	91°	93°	250	3000	6000	1800	3400

Order No.	A	A1	B	B1	B2	B3	B5	C	C1	D	D1	H	L	L1	M
K1242.06000	70	90	30	48	22,7	12,7	10	51	25	8,3	13	83,9	271	74,5	M12x100