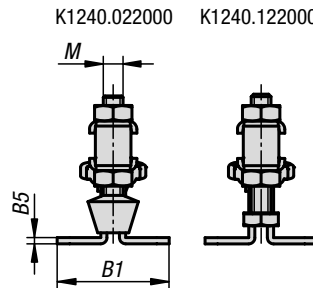
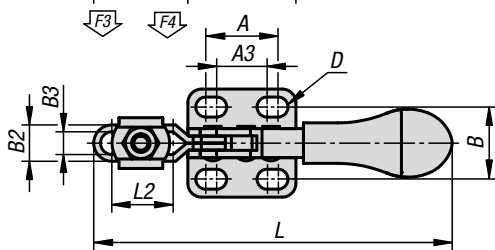
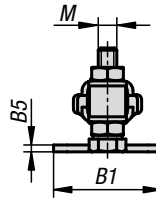
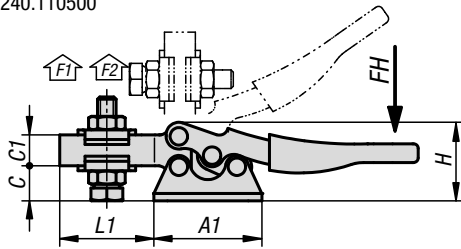


## Toggle clamps horizontal

with flat foot and adjustable clamping spindle



K1240.010500  
K1240.110500



**Material:**

Steel or stainless steel.

**Version:**

Electro zinc-plated steel.  
Bright stainless steel.  
Plastic handle, oil-resistant.

**Sample order:**

K1240.010500

**Note:**

Version K1240.010500 has a nylon clamping spindle.  
A neoprene thrust pad is supplied with versions K1240.022000, K1240.033200 and K1240.045000.

**Accessories:**

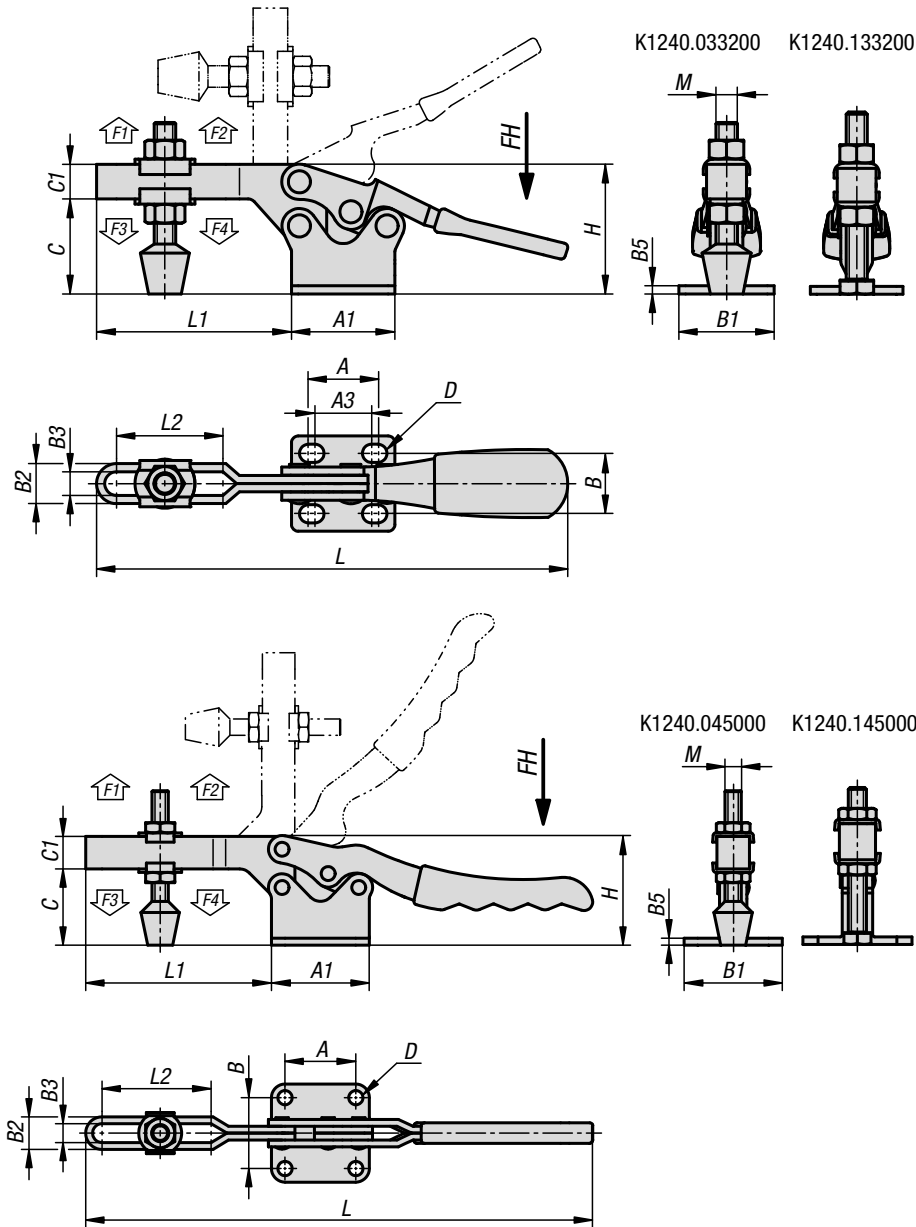
- K0688
- K0689
- K0690
- K0101
- K1442
- K0102
- K0103
- K1443
- K0104
- K0106
- K1441

### KIPP Toggle clamps horizontal with flat foot and adjustable clamping spindle

Order No.	Main material	Opening angle of holding arm	Opening angle of handle	Hand force FH N	Retaining force F1 N	Retaining force F2 N	Clamping force F3 N	Clamping force F4 N
K1240.010500	steel	90°	75°	50	250	500	150	350
K1240.022000	steel	85°	73°	100	1000	2000	600	1200
K1240.033200	steel	90°	65°	150	2000	3200	800	1600
K1240.045000	steel	90°	68°	250	2200	5000	1100	3000
K1240.110500	stainless steel	90°	75°	50	250	500	150	350
K1240.122000	stainless steel	85°	73°	100	1000	2000	600	1200
K1240.133200	stainless steel	90°	65°	150	2000	3200	800	1600
K1240.145000	stainless steel	90°	68°	250	2200	5000	1100	3000

## Toggle clamps horizontal

with flat foot and adjustable clamping spindle



Order No.	Main material	A	A1	A3	B	B1	B2	B3	B5	C	C1	D	H	L	L1	L2	M
K1240.010500	steel	15,9	23,8	11,1	15,9	23,8	8	5	1,5	7,7	6,8	4,4	17,3	79	20,7	13,5	M4x20
K1240.022000	steel	27	37	25,4	22	36	11,4	7,4	2	25,1	12,7	5,5	37,8	143,5	56,9	35,7	M6x44
K1240.033200	steel	25,4	38	20,8	22,2	35	14,7	8,7	3	34,9	12,7	6,7	47,6	173	71,6	39,1	M8x63
K1240.045000	steel	41,3	57,1	-	41,3	57,2	19	11	4	44,4	19	8,3	63,4	295,6	108,3	63,6	M10x85
K1240.110500	stainless steel	15,9	23,8	11,1	15,9	23,8	8	5	1,5	7,7	6,9	4,4	17,3	79	20,7	13,5	M4x20
K1240.122000	stainless steel	27	37	25,4	22	36	11,4	7,4	2	25,1	12,7	5,5	37,8	143,5	56,9	35,7	M6x40
K1240.133200	stainless steel	25,4	38	20,8	22,2	35	14,7	8,7	3	34,9	12,7	6,7	47,6	173	71,6	39,1	M8x60
K1240.145000	stainless steel	41,3	57,1	-	41,3	57,2	19	11	4	44,4	19	8,3	63,4	295,6	108,3	63,6	M10x80