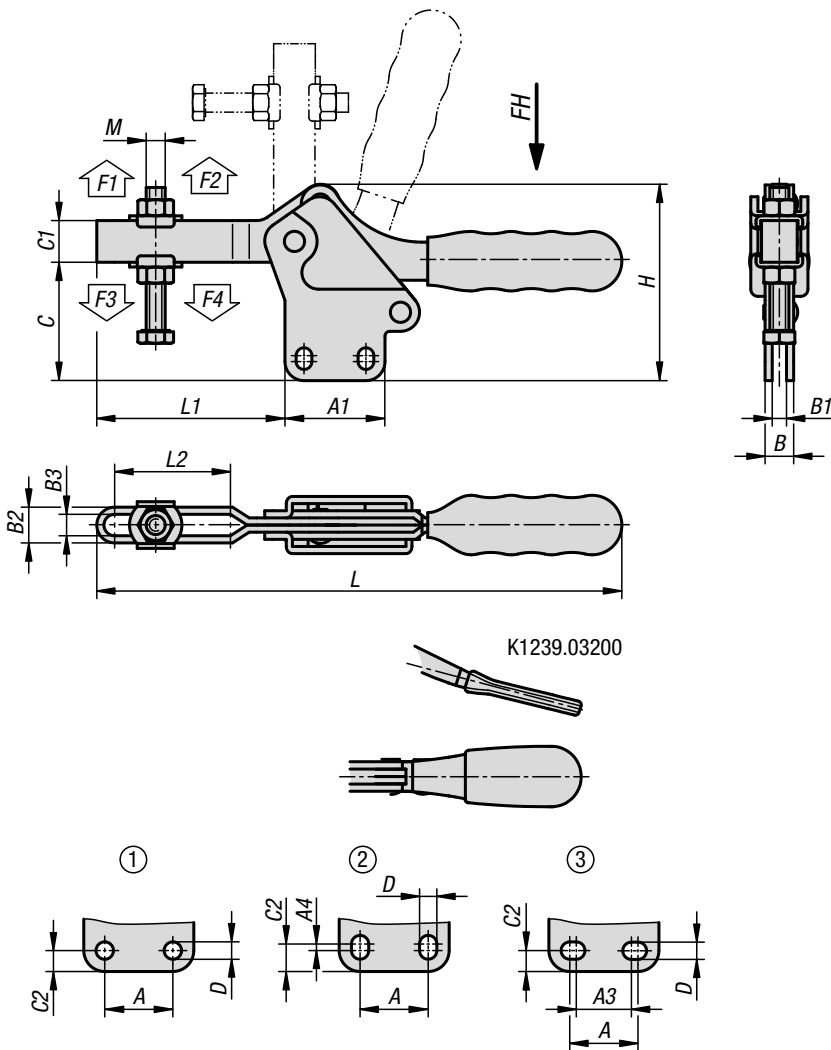


Toggle clamps horizontal

with straight foot and adjustable clamping spindle



Material:
Steel.

Version:
Electro zinc-plated steel.
Plastic handle, oil-resistant.

Sample order:
K1239.03200

Note:
A neoprene thrust pad is supplied with versions K1239.01000, K1239.02500 and K1239.03200.

Accessories:

- K0688
- K0689
- K0690
- K0101
- K1442
- K0102
- K0103
- K1443
- K0104
- K0106
- K1441

KIPP Toggle clamps horizontal with straight foot and adjustable clamping spindle

Order No.	hole arrangement	Opening angle of holding arm	Opening angle of handle	Hand force FH N	Retaining force F1 N	Retaining force F2 N	Clamping force F3 N	Clamping force F4 N
K1239.01000	1	96°	78°	50	500	1000	250	600
K1239.02500	2	93°	76°	150	1200	2500	400	1000
K1239.03200	3	90°	65°	150	2000	3200	800	1600
K1239.03400	2	90°	72°	200	1400	3400	800	1900
K1239.05400	2	94°	76°	250	2400	5400	1100	3000
K1239.06400	1	94°	80°	250	3000	6400	1100	3000

Order No.	A	A1	A3	A4	B	B1	B2	B3	C	C1	C2	D	H	L	L1	L2	M
K1239.01000	13,5	25	-	-	8	4	9,3	5,1	27,5	9,5	5,1	5,2	47	110	37	25	M5x35
K1239.02500	26	38	-	3	10	5	11,2	6,3	38,2	14	9	5,5	65,4	173	61	40,6	M6x50
K1239.03200	25,4	38	20,8	-	12	6	14,7	8,7	48,3	12,7	6,4	6,7	61	173	71,6	39,1	M8x63
K1239.03400	26	42	-	2,5	12	6	15	8,6	49,7	17,5	10,5	6,6	82,2	225	79	52,7	M8x60
K1239.05400	41,2	59	-	2	16	8	19,4	11,5	63,8	23	10	8,7	109	277	108	79,5	M10x80
K1239.06400	41,2	66	-	-	20	10	23,2	13,7	79,6	26	12,9	8,7	131	308	128	93,5	M12x100