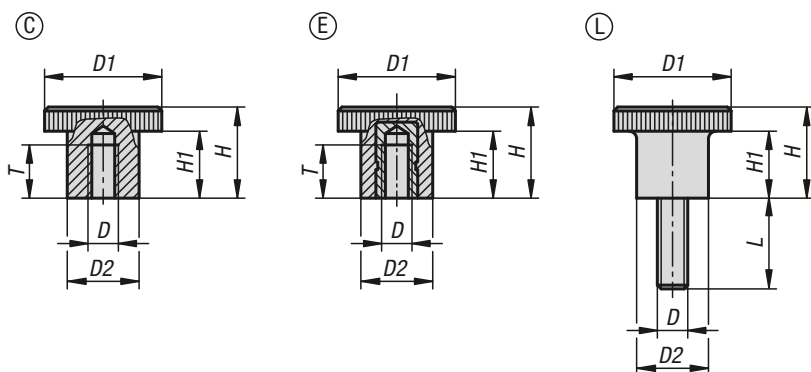


Knurled knobs



Material:

Thermoset PF 31, black.
Screw, steel.
Tapped bush, steel or brass.

Version:

Screw, electro zinc-plated.
Tapped bush, electro zinc-plated or bright brass.

Sample order:

K1223.302205X10

Drawing reference:

Form C: tapped blind hole
Form E: tapped bush
Form L: external thread

KIPP Knurled knobs with internal thread

Order No.	Form	Component material	D	D1	D2	H	H1	T
K1223.102206	C	plastic	M6	22	12	13	6	7,5
K1223.102606	C	plastic	M6	26	17	20	14	9
K1223.212205	E	brass	M5	22	12	13	6	6
K1223.202606	E	steel	M6	26	17	20	14	10
K1223.202608	E	steel	M8	26	17	20	14	12

KIPP Knurled knobs with external thread

Order No.	Form	Component material	D	D1	D2	H	H1	L
K1223.302205X	L	steel	M5	22	12	13	6	10/15/20
K1223.302206X	L	steel	M6	22	12	13	6	10/15/20/30
K1223.302606X	L	steel	M6	26	15	13	6	10/15/20/30
K1223.302608X	L	steel	M8	26	15	13	6	15/20/30