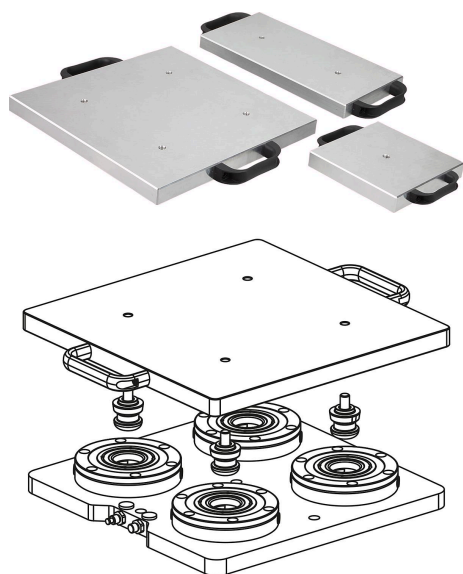


## UNILOCK interchangeable subplates for zero-point clamping system

### Item description/product images



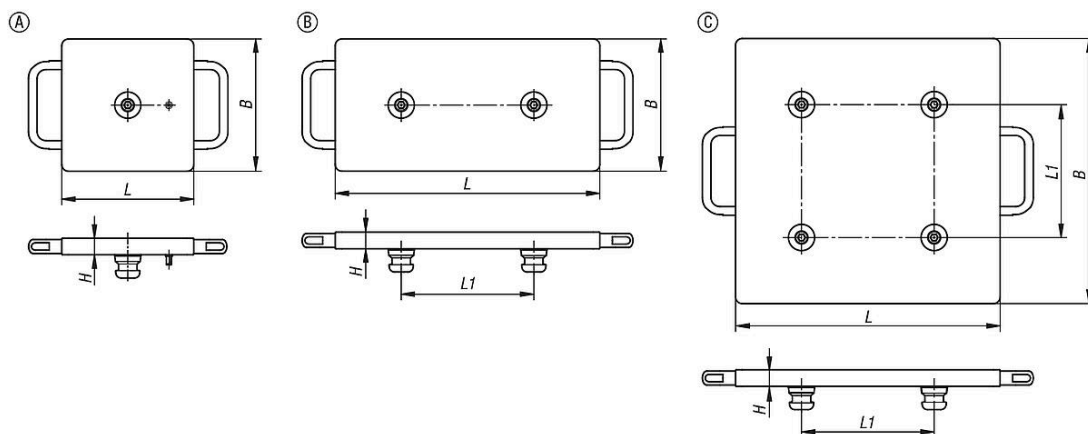
### Description

**Material:**  
High-strength aluminium.

**Note:**  
Interchangeable subplates are particularly suitable for quickly exchanging fixtures on zero point clamping plates. Ground on both sides, standard clamping bolt gauge of 200 mm. Complete with clamping bolts and handles.

**On request:**  
Further gauges and special sizes.

### Drawings



### Overview of items

#### UNILOCK interchangeable subplates for zero-point clamping system

Order No.	Form	B	H	L	L1	weight ca. kg
K1218.1000200200	A	199	25	199	-	2.95
K1218.2200200200	B	199	25	399	200	6.02
K1218.4200400400	C	399	25	399	200	11.88