

Indexing plungers

with lock



Material:

Steel version:
threaded sleeve and indexing pin, steel.

Stainless steel version:
indexing pin not hardened.
Threaded sleeve and indexing pin 1.4305.

Mushroom grip, black grey thermoplastic.
Release button, red thermoplastic.

Version:

Steel version:
threaded sleeve, black oxidised.
Indexing pin hardened, ground and black oxidised.

Stainless steel version:
threaded sleeve, bright.
Indexing pin not hardened, ground and bright.

Sample order:

K1213.11051

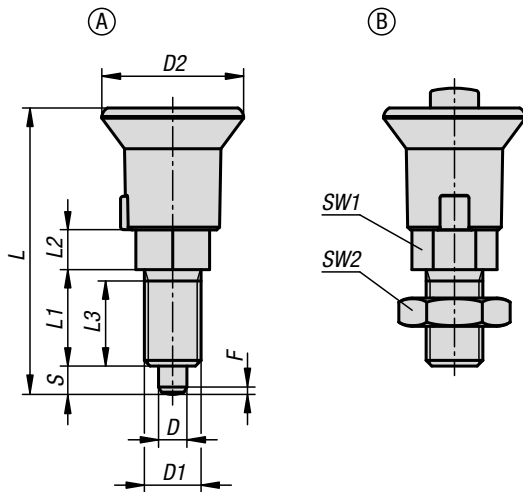
Note:

Indexing plungers are used where any change in locking position due to lateral forces should be prevented.
The locking mechanism is activated by pressing the push button.
The red release button enables the indexed position to be changed.

Drawing reference:

Form A: without locknut

Form B: with locknut



KIPP Indexing plunger with locking mechanism

Order No. Form A	Order No. Form B	Main material	Surface finish body	D	D1	D2	L	L1	L2	L3	Travel S	SW1	SW2	Fx30°	return force N
K1213.11051	K1213.21051	steel	hardened	5	M10x1	25	50,5	17	7	15	5	13	-/17	1,3	8-12
K1213.12061	K1213.22061	steel	hardened	6	M12x1,5	25	55,5	20	8	17	6	14	-/19	1,8	4-12
K1213.13081	K1213.23081	steel	hardened	8	M16x1,5	33	76	26	10	23	8	19	-/24	2,3	10-20
K1213.14101	K1213.24101	steel	hardened	10	M20x1,5	33	82	28	12	25	10	22	-/30	2,8	3-23
K1213.111051	K1213.121051	stainless steel	not hardened	5	M10x1	25	50,5	17	7	15	5	13	-/17	1,3	8-12
K1213.112061	K1213.122061	stainless steel	not hardened	6	M12x1,5	25	55,5	20	8	17	6	14	-/19	1,8	4-12
K1213.113081	K1213.123081	stainless steel	not hardened	8	M16x1,5	33	76	26	10	23	8	19	-/24	2,3	10-20
K1213.114101	K1213.124101	stainless steel	not hardened	10	M20x1,5	33	82	28	12	25	10	22	-/30	2,8	3-23