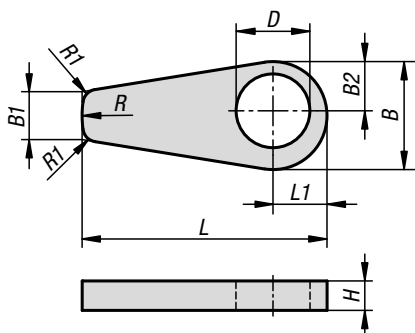


Cam clamps

for eccentric clamp modules



Material:
Steel or POM

Version:
black oxidised. White.

Sample order:
K1212.2008

Note:
Cam clamps for indirect clamping of sensitive parts in combination with pivot bearings or Form C eccentric clamp modules.

Advantages:
Tool-less operation.

KIPP Cam clamps for eccentric clamp modules

Order No.	Main material	B	B1	B2	D	H	L	L1	R	R1
K1212.1506	steel	22,1	10	10,05	15,1	6	50	11,05	22	3
K1212.2008	steel	29,4	13,34	13,37	20,1	8	66,67	14,7	29,4	3
K1212.3010	steel	44,1	20	20,05	30,1	10	100	22,05	44	3
K1212.23010	POM	44,1	20	20,05	30,1	10	100	22,05	44	3