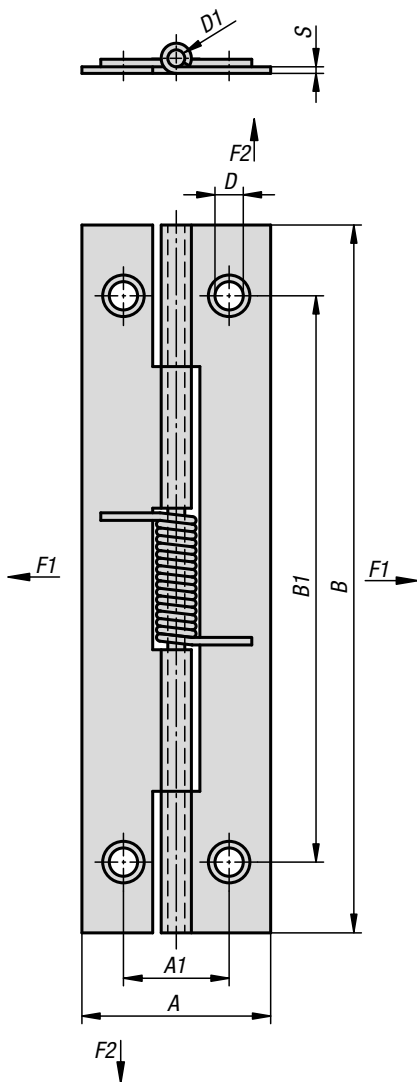


Spring hinges

steel or stainless steel, 75 mm



Material:

Steel or 1.4301 stainless steel.
Tension spring stainless steel.

Version:

Bright.

Sample order:

K1174.20750

Note:

Barrel hinges.
Opening angle 270°.

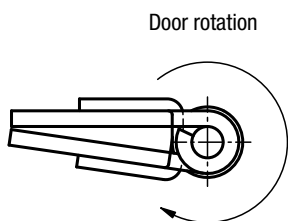
Opening spring torque:

$M(0^\circ) : 0.12 \text{ Nm} / M(90^\circ) : 0.09 \text{ Nm} / M(180^\circ) : 0.06 \text{ Nm}$

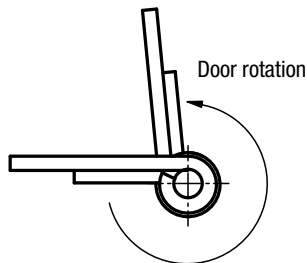
The loading values given for the hinges are non-binding reference values without consideration of safety factors and exclude any liability. The values given are for information purposes only and do not constitute a legally binding assurance of properties. These load values were determined under laboratory conditions. Each user must determine individually whether the hinge is suitable for the respective application.

Different materials onto which the hinges are installed and the type of mounting, weather conditions and wear can influence the determined values.

Hinges with closing spring



Hinges with opening spring



KIPP Spring hinges steel or stainless steel, 75 mm

Order No.	Main material	A	A1	B	B1	D	D1	S	F1 N	F2 N
K1174.20750	steel	20	11,2	75	60	2,8	1,8	0,8	1180	1210
K1174.120750	stainless steel A2	20	11,2	75	60	2,8	1,8	0,8	1430	1740