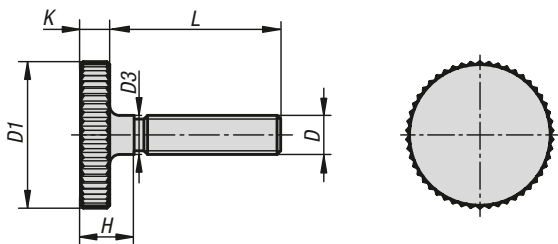


## Knurled screws low head

steel and stainless steel, DIN 653



### KIPP Knurled screws low head, steel and stainless steel, DIN 653

Order No.	Main material	D	D1	D3	H	K	L
K1163.03X	steel	M3	12	3	4,5	2,5	10/12/16
K1163.04X	steel	M4	16	4	6,5	3,5	8/10/12/16/20
K1163.05X	steel	M5	20	5	7	4	10/12/16/20/25/30
K1163.06X	steel	M6	24	6	9	5	12/16/20/25/30/35/40
K1163.08X	steel	M8	30	8	11	6	16/20/25/30/35/40
K1163.10X	steel	M10	36	10	14	8	20/25/30/35/40
K1163.032X	stainless steel	M3	12	3	4,5	2,5	10/12/16
K1163.042X	stainless steel	M4	16	4	6,5	3,5	8/10/12/16/20
K1163.052X	stainless steel	M5	20	5	7	4	10/12/16/20/25/30
K1163.062X	stainless steel	M6	24	6	9	5	12/16/20/25/30/35/40
K1163.082X	stainless steel	M8	30	8	11	6	16/20/25/30
K1163.102X	stainless steel	M10	36	10	14	8	20/25/30/40

**Material:**

Steel or stainless steel (A 1).

**Version:**

Steel grade 5.8, bright;  
Stainless steel, bright.

**Sample order:**

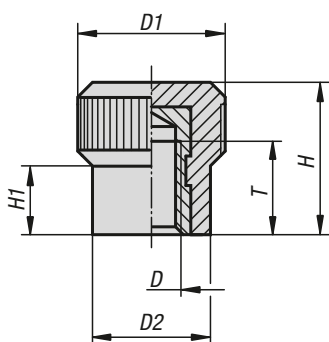
K1163.062X20 (include length L)

**Note:**

Delivery is according to DIN 653 or DIN 653-A.

# K0142

## Knurled knobs



**Material:**

Thermoset PF 31, black.  
Bush brass.

**Version:**

Tapped bush, bright

**Sample order:**

K0142.11203

**On request:**

Other colours.

### KIPP Knurled knobs

Order No.	D	D1	D2	H	H1	T
K0142.11203	M3	13	10	13,5	6	6,5
K0142.11204	M4	13	10	13,5	6	10
K0142.11504	M4	15	12	15,5	7	10
K0142.11505	M5	15	12	15,5	7	10
K0142.11506	M6	15	12	15,5	7	9