

## Bullseye levels

in frame, to screw on



**Material:**

Frame brass.  
Bullseye level body polyamide.

**Version:**

Nickel-plated and high-gloss polished.

**Sample order:**

K1154.1141030

**Note:**

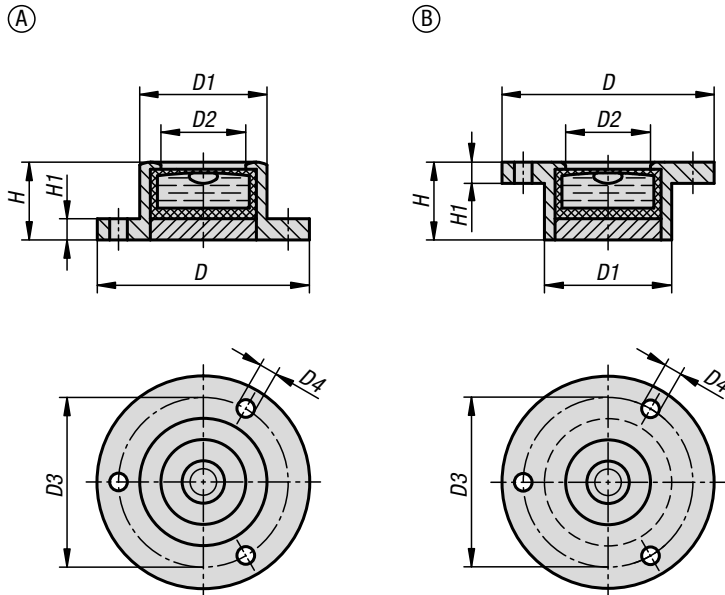
Bubble levels are used as a type of zero indicator instrument for checking horizontal inclination in e.g. spirit levels, inclinometers, metrology instruments and machine constructions.

These bullseye levels can either be screwed down using the three holes (Form A) or recessed (Form B).

- Form A: calibrated to the ground bottom face
- Form B: calibrated to the underside of the flange
- Sensitivity in angular minutes for 2 mm bubble travel
- Clear filling
- Black contrast ring
- White level base

**Temperature range:**

-35 °C up to +55 °C.



### KIPP Bullseye levels in a frame to screw down

Order No.	Form	Version 1	D	D1	D2	D3	D4	H	H1	Sensitivity
K1154.1141030	A	with mounting flange	20	14	10	17	1,6	10	1,8	30'
K1154.1171030	A	with mounting flange	25	17	12	21	2	10	2	30'
K1154.1181130	A	with mounting flange	30	18	12	24	2,5	11	3	30'
K1154.1281430	A	with mounting flange	40	28	20	34,5	2,5	14	4	30'
K1154.1341530	A	with mounting flange	50	34	25	43	3	15	5	30'
K1154.2141030	B	inlet flange	20	14	10	17	1,6	10	1,8	30'
K1154.2171030	B	inlet flange	25	17	12	21	2	10	2	30'
K1154.2181130	B	inlet flange	30	18	12	24	2,5	11	3	30'
K1154.2281430	B	inlet flange	40	28	20	34,5	2,5	14	4	30'
K1154.2341530	B	inlet flange	50	34	25	43	3	15	5	30'