

Bullseye levels

in plastic frame



Material:

Frame PMMA.
Bullseye level body acrylic glass.

Version:

Black.

Sample order:

K1153.171053

Note:

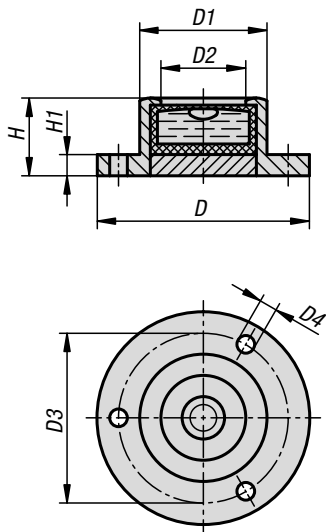
Bubble levels are used as a type of zero indicator instrument for checking horizontal inclination in e.g. spirit levels, inclinometers, metrology instruments and machine constructions.

These bullseye levels can be mounted using the three fastening holes.

- Calibrated to the ground bottom face
- Sensitivity in angular minutes for 2 mm bubble travel
- Clear filling
- Black contrast ring
- White level base

Temperature range:

-35 °C up to +55 °C.



KIPP Bullseye levels in a plastic frame

Order No.	D	D1	D2	D3	D4	H	H1	Sensitivity
K1153.171053	26	17	11	21,5	2,3	10	3	53'
K1153.201140	30	20	14	25	2,3	11	3	40'
K1153.241153	36	24	18,5	29	3,2	11	3	53'