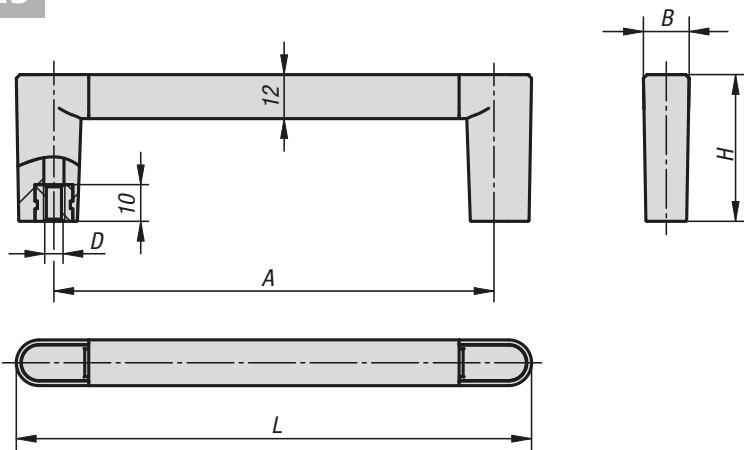


Pull handles

19"



Material:
Grip aluminium.
Legs and cap PA 6.
Tapped bush steel.

Version:
Grip natural colour or black anodised.
Tapped bush electro zinc-plated.

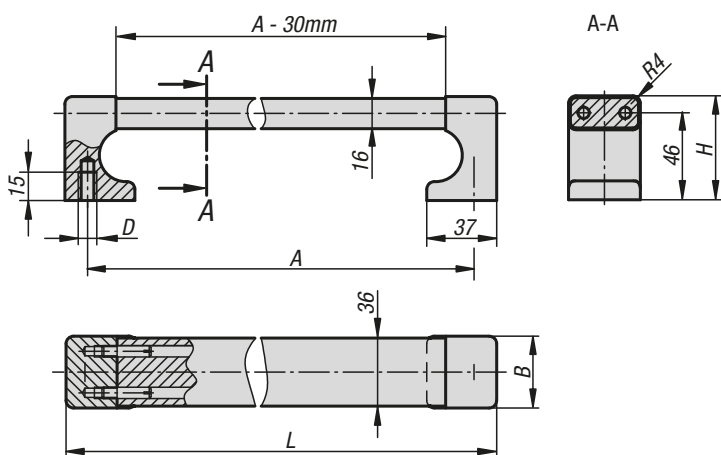
Sample order:
K1128.120101

Note:
- 19"
- Closed design
- Simple assembly
- The cap is tapped on using a plastic hammer

KIPP Pull handles

| Order No. black | Order No. natural | A | B | D | H | L | Load capacity N |
|--------------------|----------------------|-----|------|----|----|-------|-----------------------|
| K1128.055101 | K1128.055103 | 55 | 12,5 | M5 | 40 | 75,5 | 1000 |
| K1128.088101 | K1128.088103 | 88 | 12,5 | M5 | 40 | 108,5 | 1000 |
| K1128.100101 | K1128.100103 | 100 | 12,5 | M5 | 40 | 120,5 | 1000 |
| K1128.120101 | K1128.120103 | 120 | 12,5 | M5 | 40 | 140,5 | 1000 |
| K1128.180101 | K1128.180103 | 180 | 12,5 | M5 | 40 | 200,5 | 1000 |
| K1128.235101 | K1128.235103 | 235 | 12,5 | M5 | 40 | 255,5 | 1000 |

Pull handles



Material:
Legs and grip aluminium EN AW-6060.
Connecting pins stainless steel.

Version:
Legs and grip finely ground, anodised black or natural tone.

Sample order:
K0228.250081

Note:
The solid construction permits this handle series to also be used as edge protectors.

Assembly:
From the rear.

KIPP Pull handles

| Order No. black anodised | Order No. natural anodised | A | B | D | H | L | Load capacity N |
|-----------------------------|-------------------------------|-----|----|----|----|-----|-----------------------|
| K0228.250081 | K0228.250083 | 250 | 38 | M8 | 55 | 274 | 1000 |
| K0228.300081 | K0228.300083 | 300 | 38 | M8 | 55 | 324 | 1000 |
| K0228.400081 | K0228.400083 | 400 | 38 | M8 | 55 | 424 | 1000 |
| K0228.500081 | K0228.500083 | 500 | 38 | M8 | 55 | 524 | 1000 |
| K0228.600081 | K0228.600083 | 600 | 38 | M8 | 55 | 624 | 1000 |