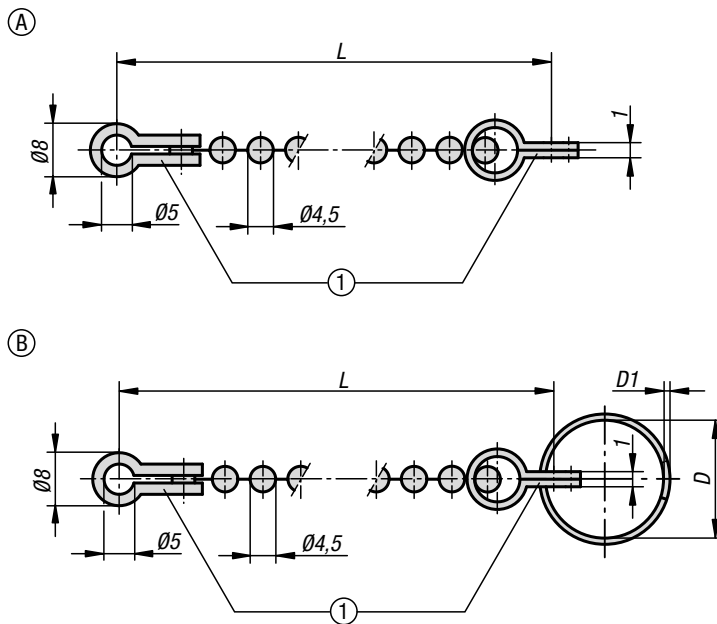


Ball chains



Material:

A: Chain stainless steel.

B: Chain stainless steel, key ring stainless steel.

Sample order:

K1125.115X160 (include length L)

Note:

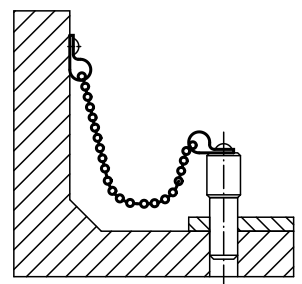
If no length is specified 1000 mm will be supplied.

Drawing reference:

1) same parts

Form A: ball chain, single

Form B: ball chain with key ring



KIPP Form A, ball chain single

Order No.	Form	Version 1	Main material	L
K1125.01X	A	single	stainless steel	160/320/500/1000

KIPP Form B, ball chain with keyring

Order No.	Form	Version 1	Main material	L	D	D1
K1125.115X	B	with key ring	stainless steel	160/320/500/1000	15	1
K1125.119X	B	with key ring	stainless steel	160/320/500/1000	19	1
K1125.123X	B	with key ring	stainless steel	160/320/500/1000	23	1,2
K1125.128X	B	with key ring	stainless steel	160/320/500/1000	28	1,7