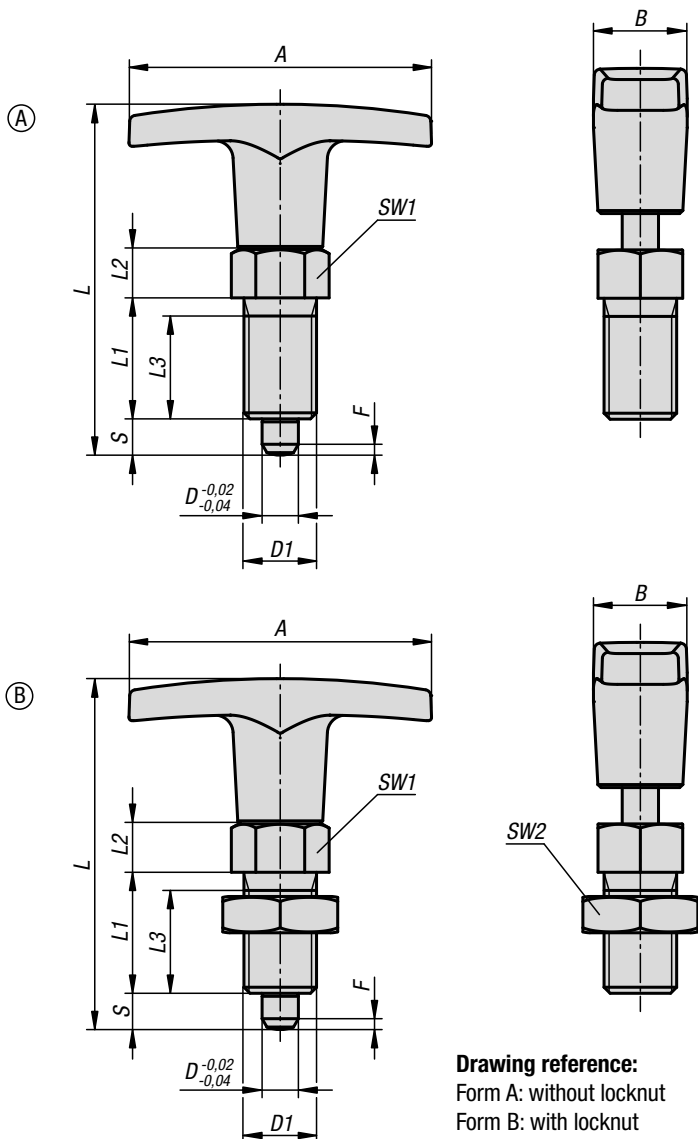


Indexing plungers

with T-grip



Drawing reference:
Form A: without locknut
Form B: with locknut

Material:

Steel version:
Indexing pin hardened:
pin 1.0718
threaded sleeve 1.0718.

Stainless steel version:
Indexing pin hardened:
pin 1.4305
threaded sleeve 1.4305.

T-grip thermoplastic, black grey or traffic red RAL 3020.

Version:

Steel version:
indexing pin hardened, ground and black oxidised.
Threaded sleeve black oxidised

Stainless steel version:
indexing pin hardened, ground and bright.
Threaded sleeve bright.

Sample order:

K1124.5308

Note:

Indexing plungers are used to prevent any change in locking position due to lateral forces. A new locking position can only be set after the pin has been manually disengaged. The ergonomic T-grip enables easy handling and low effort.

On request:

Special versions.

Accessories:

Spacer rings K0665

KIPP Indexing plungers, steel, indexing pin hardened

Order No. Form A	Order No. Form B	Component colour	A	B	D	D1	L	L1	L2	L3	Travel S	SW1	SW2	Fx30°	Spring force initial pressure F1 approx. N	Spring force final pressure F2 approx. N
K1124.5206	K1124.6206	black grey RAL 7021	50	15,5	6	M12x1,5	58	20	8	17	6	14	-/19	1,8	6	14
K1124.5308	K1124.6308	black grey RAL 7021	60	18	8	M16x1,5	77	26	10	23	8	19	-/24	2,3	15	35
K1124.5410	K1124.6410	black grey RAL 7021	72	19	10	M20x1,5	84	28	12	25	10	22	-/30	2,8	15	34
K1124.520684	K1124.620684	red	50	15,5	6	M12x1,5	58	20	8	17	6	14	-/19	1,8	6	14
K1124.530884	K1124.630884	red	60	18	8	M16x1,5	77	26	10	23	8	19	-/24	2,3	15	35
K1124.541084	K1124.641084	red	72	19	10	M20x1,5	84	28	12	25	10	22	-/30	2,8	15	34

KIPP Indexing plungers, stainless steel, indexing pin hardened

Order No. Form A	Order No. Form B	Component colour	A	B	D	D1	L	L1	L2	L3	Travel S	SW1	SW2	Fx30°	Spring force initial pressure F1 approx. N	Spring force final pressure F2 approx. N
K1124.05206	K1124.06206	black grey RAL 7021	50	15,5	6	M12x1,5	58	20	8	17	6	14	-/19	1,8	6	14
K1124.05308	K1124.06308	black grey RAL 7021	60	18	8	M16x1,5	77	26	10	23	8	19	-/24	2,3	15	35
K1124.05410	K1124.06410	black grey RAL 7021	72	19	10	M20x1,5	84	28	12	25	10	22	-/30	2,8	15	34
K1124.0520684	K1124.0620684	red	50	15,5	6	M12x1,5	58	20	8	17	6	14	-/19	1,8	6	14
K1124.0530884	K1124.0630884	red	60	18	8	M16x1,5	77	26	10	23	8	19	-/24	2,3	15	35
K1124.0541084	K1124.0641084	red	72	19	10	M20x1,5	84	28	12	25	10	22	-/30	2,8	15	34