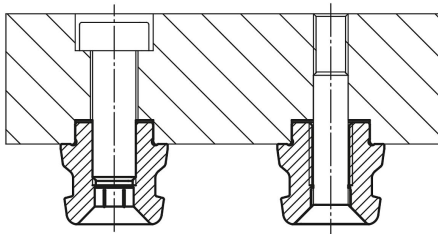


UNILOCK clamping pin system size 50 mm

Item description/product images



Description

Material:

Steel.

Version:

Main body oxidised.

Contact faces hardened and ground.

Note:

The UNILOCK clamping pin is suitable for clamping and positioning workpieces and fixtures. Clamping pins are screwed onto the exchange element and adapted to the various basic modules.

The following clamping forces are possible with the UNILOCK clamping pin in conjunction with M8, M10 fastening screws:

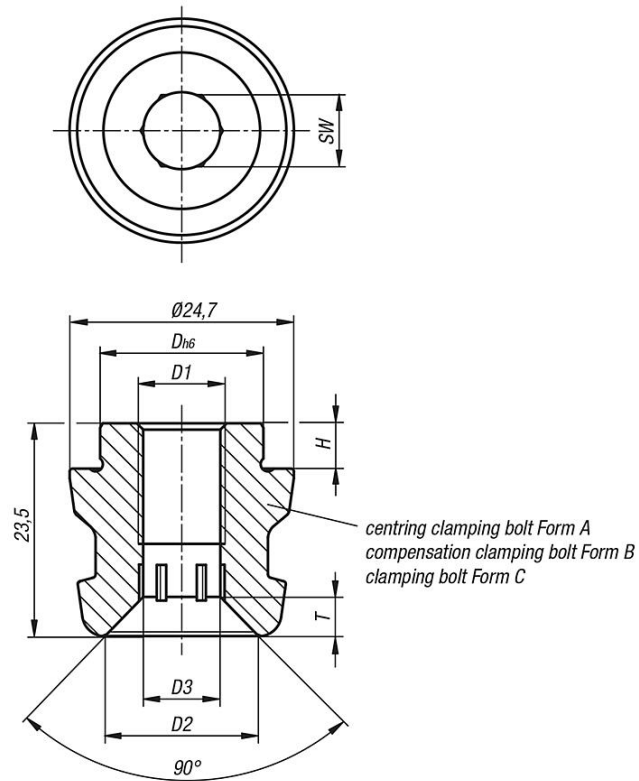
- Clamping force (M8) 15,000 N




- Clamping force (M10) 25,000 N

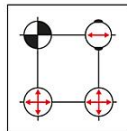
Clamping force with DIN EN ISO 4762 -12.9 cap screws.

UNILOCK clamping pin system size 50 mm

Drawings



-  centring clamping bolt = Form A fixes in x and y axis (reference point)
-  compensation clamping bolt = Form B fixes the free axis (bayonet pin)
-  clamping bolt = Form C clamping bolt with undersize
(no centring function, clamping only)



Overview of items

UNILOCK clamping pin, system size 50 mm

Order No.	Form	D1	D	D2	D3	H	T	SW
K1121.125180510	A	M10	18	16,5	9	5	5	8
K1121.225180510	B	M10	18	16,5	9	5	5	8
K1121.325180510	C	M10	18	16,5	9	5	5	8