

UNILOCK 5-axis reducer adapter system size 50 mm

Item description/product images



Description

Material:

Rust resistant tool steel.

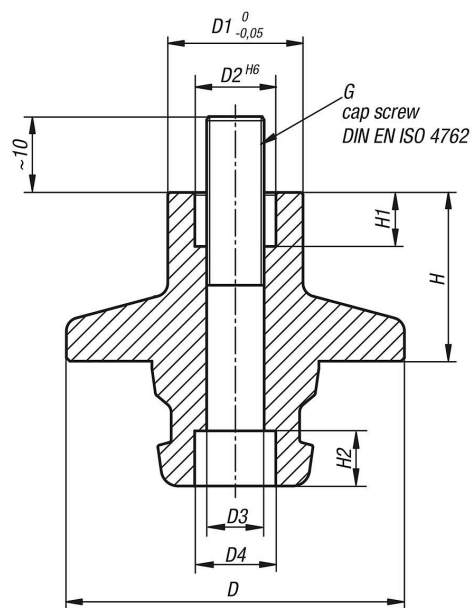
Version:

Contact faces hardened and ground.
Body and clamping bolt are one piece.

Note:

The UNILOCK 5-axis reducer adapter is suitable for clamping and positioning workpieces.
Reducer adapters can be screwed onto the workpiece and mounted on the basic module or add-on clamp module.
The system size 50 add-on module can also be combined with the system size 80.

Drawings



Overview of items

UNILOCK 5-axis reducer adapter, system size 50 mm

UNILOCK 5-axis reducer adapter system size 50 mm**Overview of items**

Order No.	Form	D	D1	D2	D3	D4	G	H	H1	H2
K1120.251081	A	50	20	12	8,5	13,3	M8	25	12	8,2
K1120.501081	A	50	20	12	8,5	13,3	M8	50	12	8,2