

UNILOCK 5-axis basic module, double clamp system size 50 mm

Item description/product images



Description

Material:

Carbon steel.

Version:

Main body oxidised.

Contact faces hardened and ground.

Note:

The UNILOCK 5-axis double clamp basic modules can be adapted directly to machine tables with grid holes or T-slots, as well as grid hole subplates.

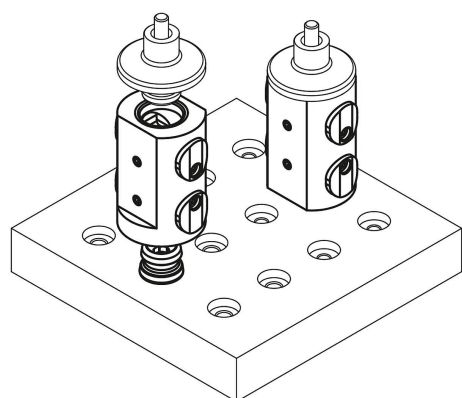
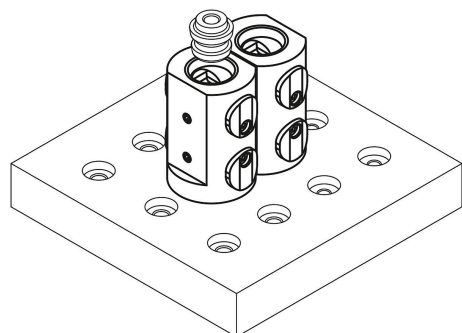
The narrow design of the basic module enables it to be used on grid spacings from 40 mm.

The following clamping forces are possible with the UNILOCK clamping bolt in conjunction with M8, M10 fastening screws:

- Clamping force (M8) 15,000 N
- Clamping force (M10) 25,000 N

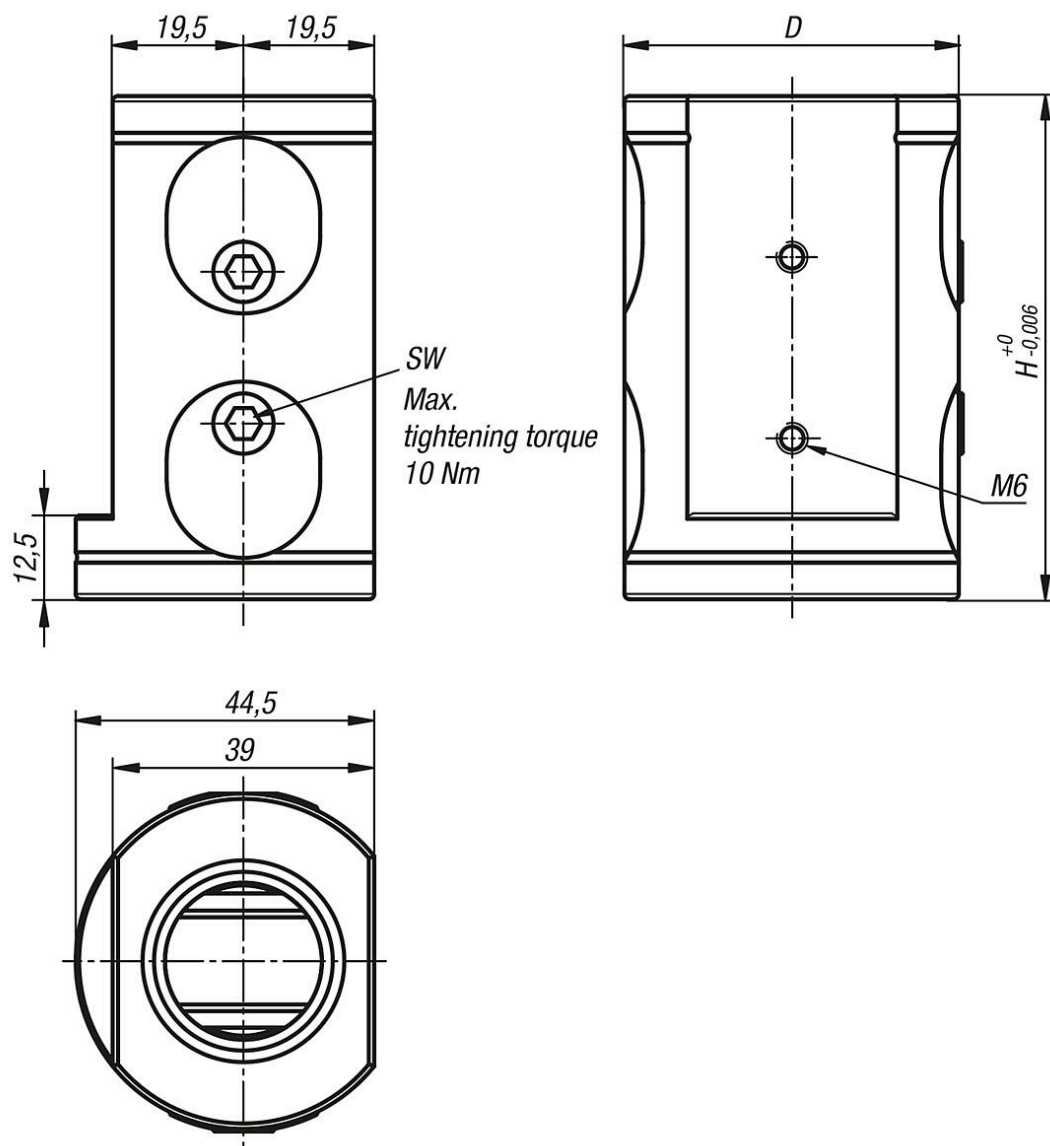
Clamping force with DIN EN ISO 4762 -12.9 cap screws

Clamping bolts may only be clamped in conjunction with a mounted interchangeable unit in the clamping module.



UNILOCK 5-axis basic module, double clamp system size 50 mm

Drawings



Overview of items

UNILOCK 5-axis basic module, double clamp, system size 50 mm

Order No.	D	H	SW	Retraction force kN	Tightening torque max. Nm
K1118.000750	50	75	4	10	10