

Quarter-turn locks

long version



Material:

Housing and actuator die-cast zinc.
Tongue steel.

Version:

Housing and actuator trivalent passivated.
Tongue electro zinc-plated.

Sample order:

Quarter turn lock K1113.18301
Tongue K1114.145X040

Note:

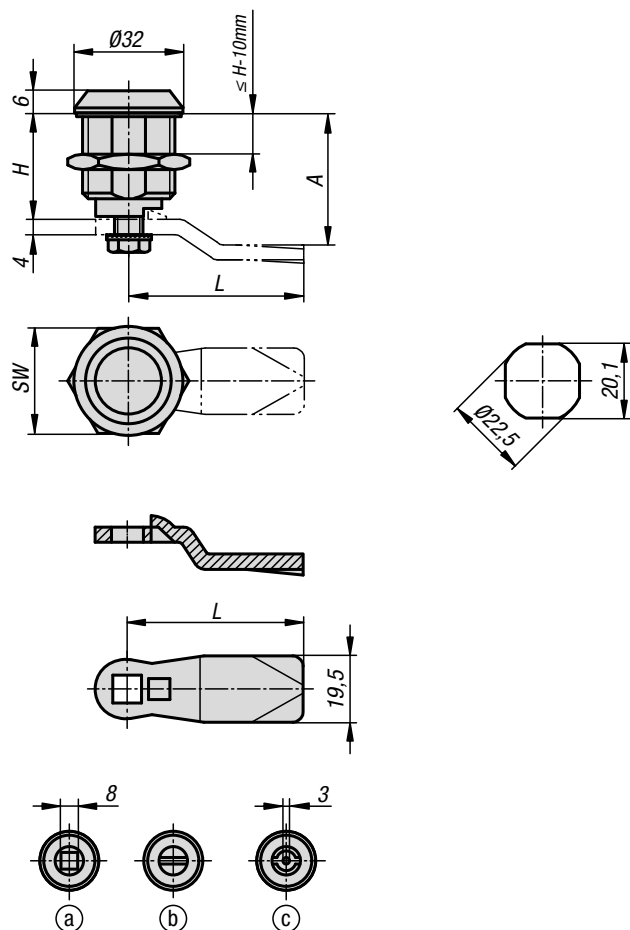
Rating IP65. This is achieved using an additional O-ring underneath the actuator and a flat seal attached to the housing. The quarter-turn lock can be installed pre-assembled. Please order the required tongue separately. Every tongue can be combined with this housing.

Accessories:

Key K0535

Drawing reference:

- Actuation:
- a) square 8 mm
 - b) slot
 - c) double lug 3 mm



Quarter-turn locks

long version



KIPP Quarter-turn locks long version

Order No.	H	Actuation	SW
K1113.18301	30	square 8 mm	27
K1113.40301	30	double lug 3 mm	27
K1113.20301	30	slot	27
K1113.18401	40	square 8 mm	27
K1113.40401	40	double lug 3 mm	27
K1113.20401	40	slot	27
K1113.18501	50	square 8 mm	27
K1113.40501	50	double lug 3 mm	27
K1113.20501	50	slot	27

KIPP Tongue for quarter-turn locks

Order No.	A for housing length H=30	A for housing length H=40	A for housing length H=50	L
K1114.145X040	16	26	36	45
K1114.145X060	18	28	38	45
K1114.145X080	20	30	40	45
K1114.145X100	22	32	42	45
K1114.145X120	24	34	44	45
K1114.145X140	26	36	46	45
K1114.145X160	28	38	48	45
K1114.145X180	30	40	50	45
K1114.145X200	32	42	52	45
K1114.145X220	34	44	54	45
K1114.145X240	36	46	56	45
K1114.145X260	38	48	58	45
K1114.145X280	40	50	60	45
K1114.145X300	42	52	62	45
K1114.145X320	44	54	64	45
K1114.145X340	46	56	66	45
K1114.145X360	48	58	68	45
K1114.145X380	50	60	70	45
K1114.145X400	52	62	72	45
K1114.145X420	54	64	74	45