

Quarter-turn lock

for sterile areas



Material:

Quarter-turn lock 1.4305 stainless steel.
Tongue 1.4301 stainless steel.

Version:

Bright.

Sample order:

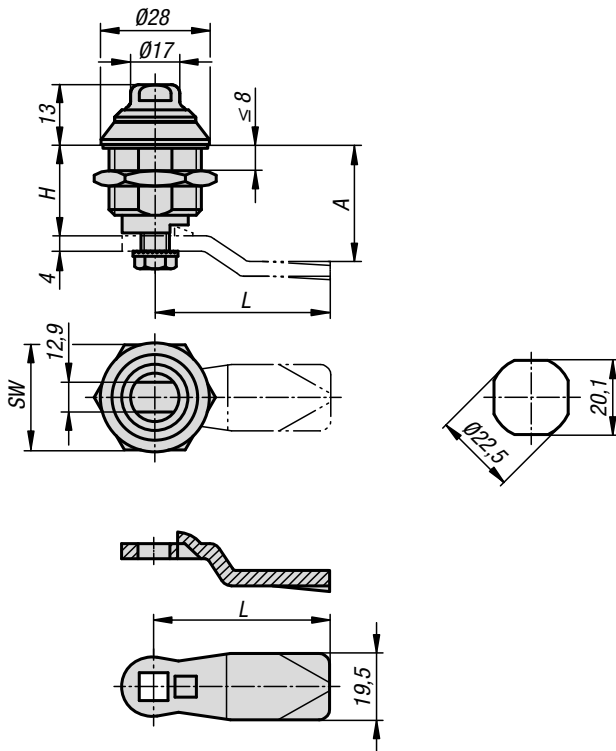
Quarter turn lock K1111.60186
Tongue K1114.245X180

Note:

Stainless steel quarter-turn lock with 13 mm AF actuator for applications with hygienic requirements as per EN ISO 14159, EN 1672-2:2009*. Dust and waterproof as per IP69K. The rounded form and polished surfaces together with the material used make these locks insensitive to cleaning materials and resistant to dirt. The seal between the quarter-turn lock and the door is made using the captive PUR foam seal on the underside of the quarter-turn lock housing.

Accessories:

Key K1335.113



KIPP Quarter-turn lock for sterile areas

Order No.	Actuation	H	SW
K1111.60186	double flat	18	27

KIPP Tongue for quarter-turn lock

Order No.	A for housing length H=18	L
K1114.245X180	18	45
K1114.245X200	20	45
K1114.245X240	24	45
K1114.245X280	28	45
K1114.245X320	32	45
K1114.245X340	34	45
K1114.245X360	36	45
K1114.245X380	38	45
K1114.245X400	40	45
K1114.245X420	42	45