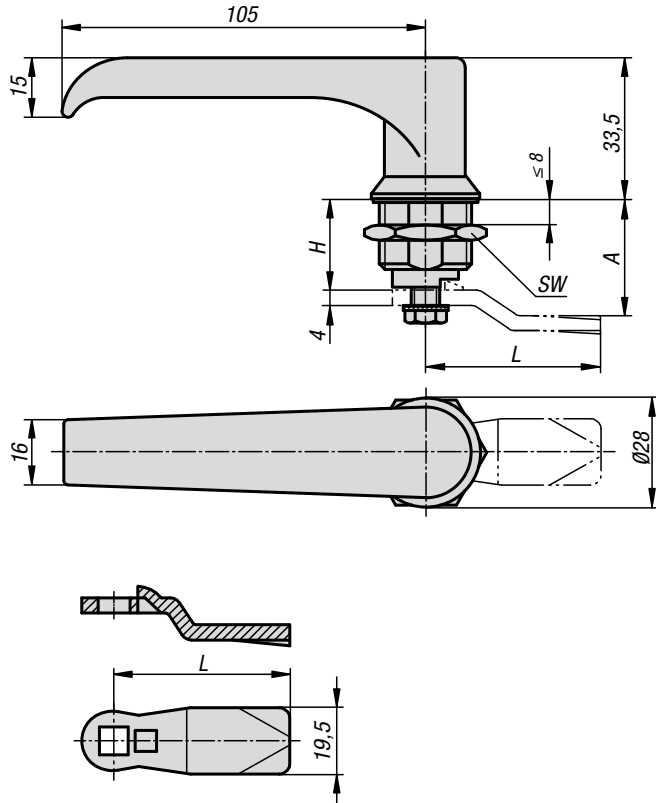


Quarter-turn lock, stainless steel

with L-grip



Material:

Grip and tongue 1.4301 stainless steel.
Housing and nut 1.4305 stainless steel.

Version:

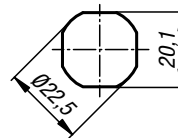
Bright.

Sample order:

Quarter turn lock K1110.1186
Tongue K1114.245X180

Note:

Quarter-turn lock with L-grip. For right or left mounting with 90° closing. The quarter-turn lock can be installed pre-assembled. Supplied with standard stainless-steel nut. Rating IP65. Please order required tongue version separately. Every tongue can be combined with this housing.



KIPP Quarter-turn lock, stainless steel with L-grip

Order No.	Actuation	H	SW
K1110.1186	L-grip	18	27

KIPP Tongue for quarter-turn lock

Order No.	A for housing length H=18	L
K1114.245X180	18	45
K1114.245X200	20	45
K1114.245X240	24	45
K1114.245X280	28	45
K1114.245X320	32	45
K1114.245X340	34	45
K1114.245X360	36	45
K1114.245X380	38	45
K1114.245X400	40	45
K1114.245X420	42	45