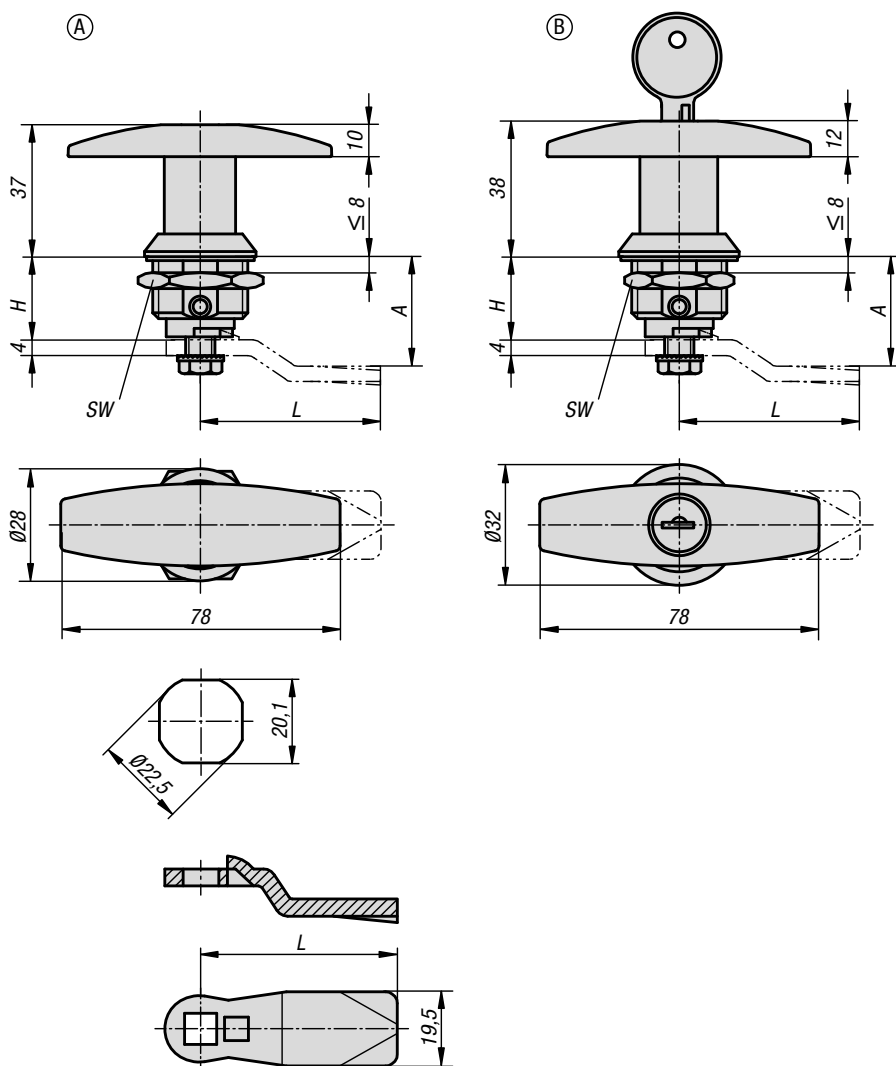


Quarter-turn locks, stainless steel

with T-grip



Material:

Grip and tongue 1.4301 stainless steel.
Housing and nut 1.4305 stainless steel.

Version:

Bright.

Sample order:

Quarter turn lock K1109.1186
Tongue K1114.245X180

Note:

Quarter-turn lock with T-grip. For right or left mounting with 90° closing. The quarter-turn lock can be installed pre-assembled. Supplied with standard stainless-steel nut. The lockable quarter-turn lock is supplied with 2 keys. The key can be removed in both the closed and open position. The cylinder locks have a single-key system i.e. the same key works in all locks (lock type 1333).

Rating IP65.

Order the desired tongue separately. Every tongue can be combined with this housing.

KIPP Quarter-turn locks, stainless steel with T-grip

Order No.	Form	Actuation	H	SW
K1109.1186	A	T-Grip	18	27
K1109.2186	B	lockable T-grip	18	27

KIPP Tongue for quarter-turn lock

Order No.	A for housing length H=18	L
K1114.245X180	18	45
K1114.245X200	20	45
K1114.245X240	24	45
K1114.245X280	28	45
K1114.245X320	32	45
K1114.245X340	34	45
K1114.245X360	36	45
K1114.245X380	38	45
K1114.245X400	40	45
K1114.245X420	42	45