

## Quarter-turn locks, stainless steel



**Material:**

Quarter-turn lock 1.4305 stainless steel.  
Tongue 1.4301 stainless steel.

**Version:**

Bright.

**Sample order:**

Quarter turn lock K1106.40186  
Tongue K1114.245X180

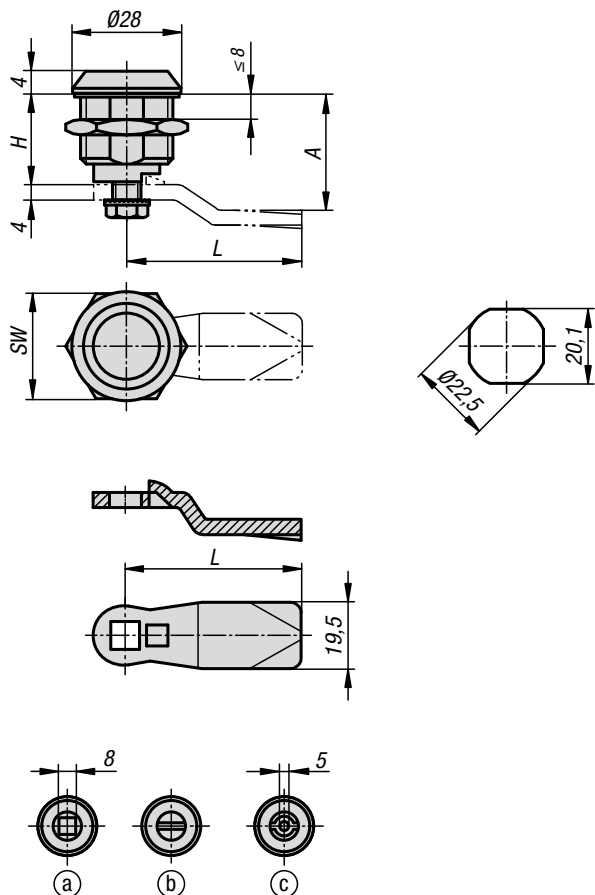
**Note:**

Rating IP65. This is achieved using an additional O-ring underneath the actuator and a PUR seal foamed onto the housing. The quarter-turn lock can be installed pre-assembled. Please order the required tongue separately. Every tongue can be combined with this housing.

**Drawing reference:**

Actuation:

- a) square 8 mm
- b) slot
- c) double lug 5 mm



### KIPP Quarter-turn locks, stainless steel

Order No.	Actuation	H	SW
K1106.40186	double lug 5 mm	18	27
K1106.20186	slot	18	27
K1106.18186	square 8 mm	18	27

### KIPP Tongue for quarter-turn locks

Order No.	A for housing length H=18	L
K1114.245X180	18	45
K1114.245X200	20	45
K1114.245X240	24	45
K1114.245X280	28	45
K1114.245X320	32	45
K1114.245X340	34	45
K1114.245X360	36	45
K1114.245X380	38	45
K1114.245X400	40	45
K1114.245X420	42	45