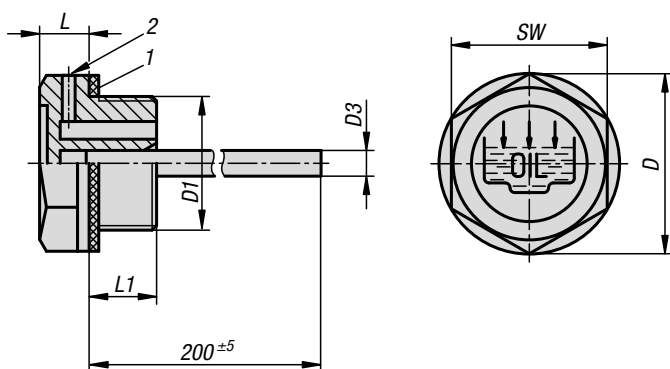


Screw plugs

with dipstick



Material:

Thermoplast, polyamide 66.
Dipstick steel, zinc phosphated.

Version:

Flat seal asbestos-free.

Sample order:

K1101.122038

Note:

Form B has a vent hole on the side of the hexagon head with a diameter of between 2 and 3.5 mm, depending on the size of the screw plug.

Temperature range:

Temperature resistant with oil up to 100°C.

Drawing reference:

- 1) flat seal
- 2) vent hole Form B only

KIPP Screw plugs with dipstick

Order No.	Form	D	D1	D3	L	L1	SW
K1101.119014	A	19	G1/4	4	7	9	17
K1101.122038	A	22	G3/8	4	7,5	10	18
K1101.128012	A	28	G1/2	4	7,5	11	24
K1101.134034	A	34	G3/4	5	9	11	30
K1101.142100	A	42	G1	5	10,5	12	36
K1101.151114	A	51	G1 1/4	5	12	13,5	42
K1101.1191415	A	19	M14X1,5	4	7	9	17
K1101.1211615	A	21	M16X1,5	4	7,5	10	18
K1101.1261815	A	26	M18X1,5	4	7,5	10	21
K1101.1282015	A	28	M20X1,5	4	8	10	24
K1101.1282215	A	28	M22X1,5	4	8	11	24
K1101.219014	B	19	G1/4	4	7	9	17
K1101.222038	B	22	G3/8	4	7,5	10	18
K1101.228012	B	28	G1/2	4	7,5	11	24
K1101.234034	B	34	G3/4	5	9	11	30
K1101.242100	B	42	G1	5	10,5	12	36
K1101.251114	B	51	G1 1/4	5	12	13,5	42
K1101.2191415	B	19	M14X1,5	4	7	9	17
K1101.2211615	B	21	M16X1,5	4	7,5	10	18
K1101.2261815	B	26	M18X1,5	4	7,5	10	21
K1101.2282015	B	28	M20X1,5	4	8	10	24