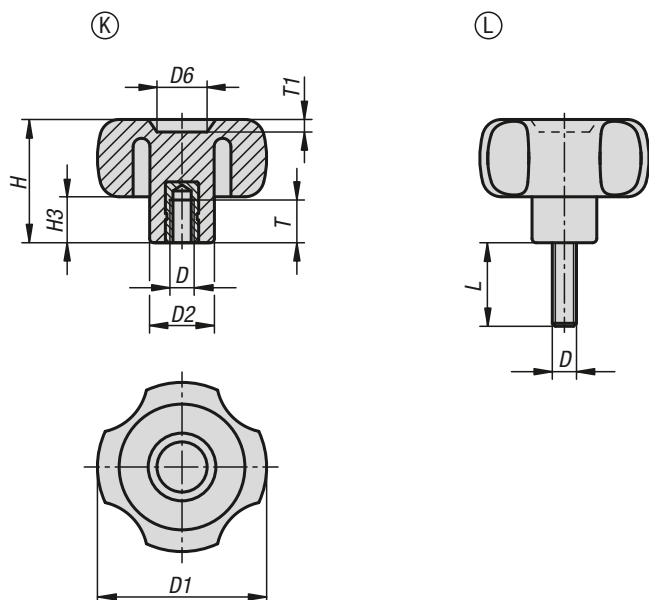


## Four lobe grips



**Material:**

Fibreglass reinforced thermoplastic.

Tapped bush brass.

Screw steel.

**Version:**

Grip, black.

Screw electro zinc-plated.

**Sample order:**

K1093.43006X20 (include length L)

### KIPP Four lobe grips with internal thread

Order No.	Form	D	D1	D2	D6	H	H3	T	T1
K1093.23006	K	M6	30	15	12	23	9,5	10	2
K1093.24006	K	M6	40,5	15,5	12	29,5	11	10	3
K1093.24008	K	M8	40,5	15	12	27,5	11	14	3
K1093.25208	K	M8	50	20,5	14,5	32,5	11	14	2,5
K1093.25210	K	M10	50	20,5	14,5	32,5	11	13	2,5
K1093.26010	K	M10	59	23	24	40	15	14	4
K1093.26012	K	M12	59	23	24	40	15	18	4

### KIPP Four lobe grips with external thread

Order No.	Form	D	D1	D2	D6	H	H3	T1	L
K1093.43006X	L	M6	30	15	12	23	9,5	2	16/20/30/40/50
K1093.44006X	L	M6	40,5	15,5	12	29,5	11	3	16/20
K1093.44008X	L	M8	40,5	15	12	29,5	11	3	20/30/40
K1093.45208X	L	M8	50	20,5	14,5	32,5	11	2,5	16/20/30/40/50
K1093.46010X	L	M10	59	23	24	40	15	4	20/30/40/50
K1093.46012X	L	M12	59	23	24	40	15	4	50
K1093.48010X	L	M10	79	30	21	41	17	3	30/50
K1093.48012X	L	M12	79	30	21	41	17	3	50