

Pull handles



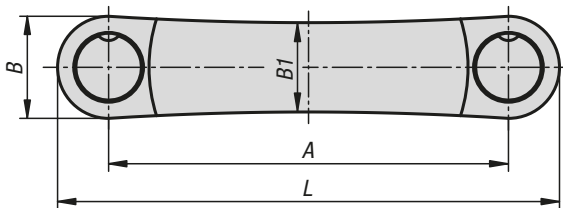
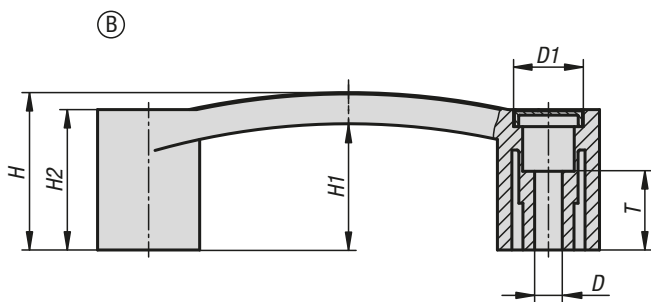
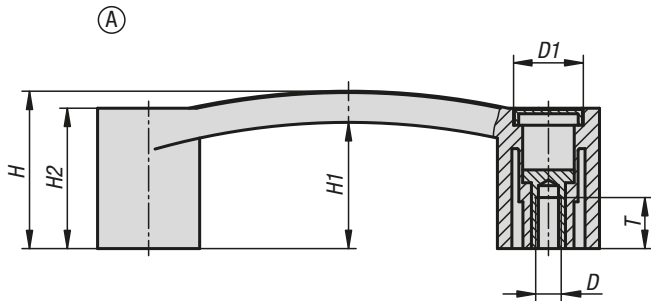
Material:
Fibreglass reinforced thermoplastic.
Tapped bush brass.

Version:
Black.
Cap grey.

Sample order:
K1092.109406

Assembly:
Form A from the rear.
Form B from the front.

On request:
Other handle or cap colours.



KIPP Pull handles

Order No.	Version 1	Form	A	B	B1	D	D1	H	H1	H2	L	T	Load capacity N
K1092.109406	internal thread	A	94	24	21	M6	16	37	30	33	118	12	2000
K1092.111706	internal thread	A	117	28	24	M6	18	40,5	31,5	34	145	12	3400
K1092.111708	internal thread	A	117	28	24	M8	18	40,5	31,5	34	145	12	3400
K1092.112006	internal thread	A	120	28	24	M6	18	40,5	31,5	34	148	12	3500
K1092.112008	internal thread	A	120	28	24	M8	18	40,5	31,5	34	148	12	3500
K1092.113208	internal thread	A	132	28	24	M8	18	43	34	36,5	160	12	3500
K1092.209406	with through hole	B	94	24	21	6,5	16	37	30	33	118	14	2500
K1092.211706	with through hole	B	117	28	24	6,5	18	40,5	31,5	34	145	15	3700
K1092.211708	with through hole	B	117	28	24	8,5	18	40,5	31,5	34	145	15	3700
K1092.212006	with through hole	B	120	28	24	6,5	18	40,5	31,5	34	148	15	2900
K1092.212008	with through hole	B	120	28	24	8,5	18	40,5	31,5	34	148	15	2900
K1092.213208	with through hole	B	132	28	24	8,5	18	43	34	36,5	160	15	3200