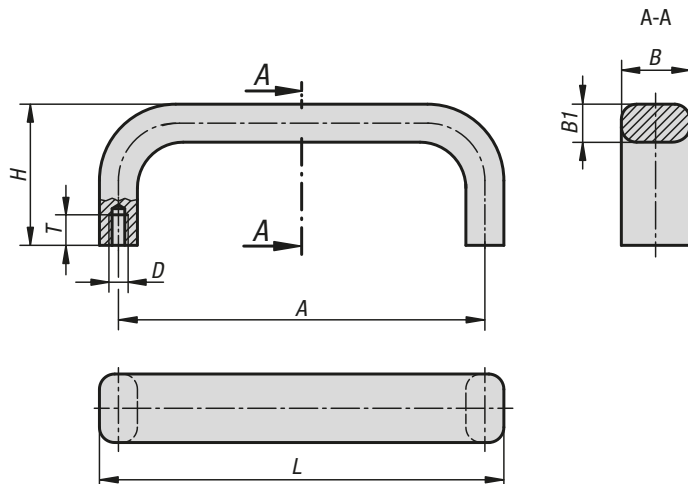


Pull handles



Material:
Aluminium.

Version:
Matt-finished, anodised black or natural tone.

Sample order:
K1091.088053

Note for ordering:
Fastening screws included.

Assembly:
From the rear.

KIPP Pull handles

Order No. natural anodized	Order No. black anodised	A	B	B1	D	H	L	T	Load capacity N
K1091.055053	K1091.055051	55	12	8	M5	29	63	10	750
K1091.088053	K1091.088051	88	12	8	M5	29	96	10	750
K1091.100053	K1091.100051	100	12	8	M5	39	108	10	750
K1091.120053	K1091.120051	120	15	10	M5	39	130	10	750
K1091.180053	K1091.180051	180	15	10	M5	39	190	10	750
K1091.235053	K1091.235051	235	15	10	M5	39	245	10	750