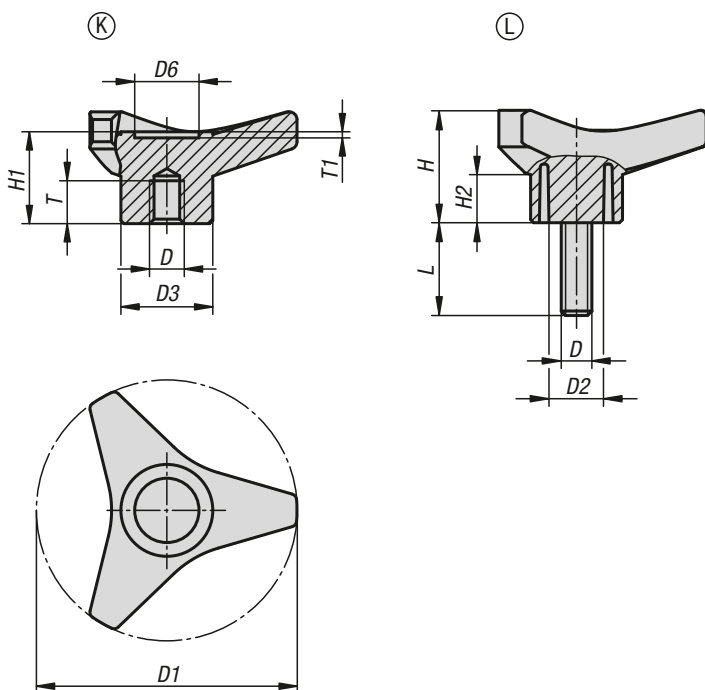


Triangular grips



Material:

Fibreglass reinforced thermoplastic.
Tapped bush brass.
Screw steel.

Version:

Grip, black.
Screw electro zinc-plated.

Sample order:

K1083.48510X20

KIPP Triangular grips with internal thread

Order No.	Form	D	D1	D3	D6	H	H1	H2	T	T1
K1083.24506	K	M6	45	16	11	21	18	10	9	1
K1083.26508	K	M8	65	22	15,5	28	23,5	11,5	11	1,5
K1083.26510	K	M10	65	22	15,5	28	23,5	11,5	11	1,5
K1083.28510	K	M10	85	30	21	37	30,5	16	14	2
K1083.28512	K	M12	85	30	21	37	30,5	16	19	2
K1083.210512	K	M12	105	35	25	46	37,5	19	17	2
K1083.210514	K	M14	105	35	25	46	37,5	19	19	2

KIPP Triangular grips with external thread

Order No.	Form	D	D1	D2	D3	D6	H	H1	H2	L	T1
K1083.48508X20	L	M8	85	18	30	21	37	30,5	16	20	2
K1083.48508X30	L	M8	85	18	30	21	37	30,5	16	30	2
K1083.48510X20	L	M10	85	18	30	21	37	30,5	16	20	2
K1083.48510X30	L	M10	85	18	30	21	37	30,5	16	30	2
K1083.48512X20	L	M12	85	18	30	21	37	30,5	16	20	2
K1083.48512X40	L	M12	85	18	30	21	37	30,5	16	40	2
K1083.410512X30	L	M12	105	20	35	25	46	37,5	19	30	2
K1083.410512X50	L	M12	105	20	35	25	46	37,5	19	50	2