

Base plates

for sliding clamp for square bars



Material:

Stainless steel

Version:

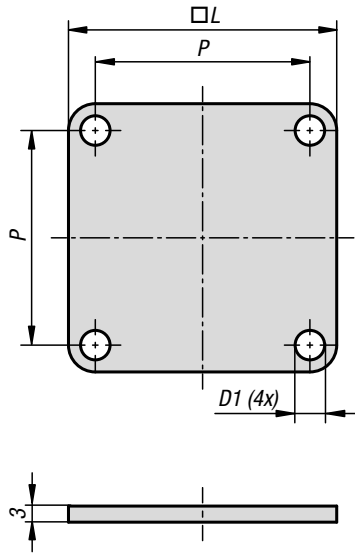
Bright.

Sample order:

K1073.40

Note:

Base plates raise the sliding clamp by 3 mm.
It is used to mount the sliding clamp to a fixated square bar.



KIPP Base plate for sliding clamps for square bars

Order No.	L	D1	P
K1073.40	40	4,5	32
K1073.50	50	5,5	40