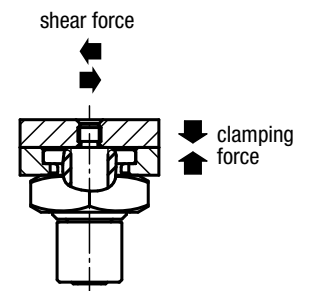
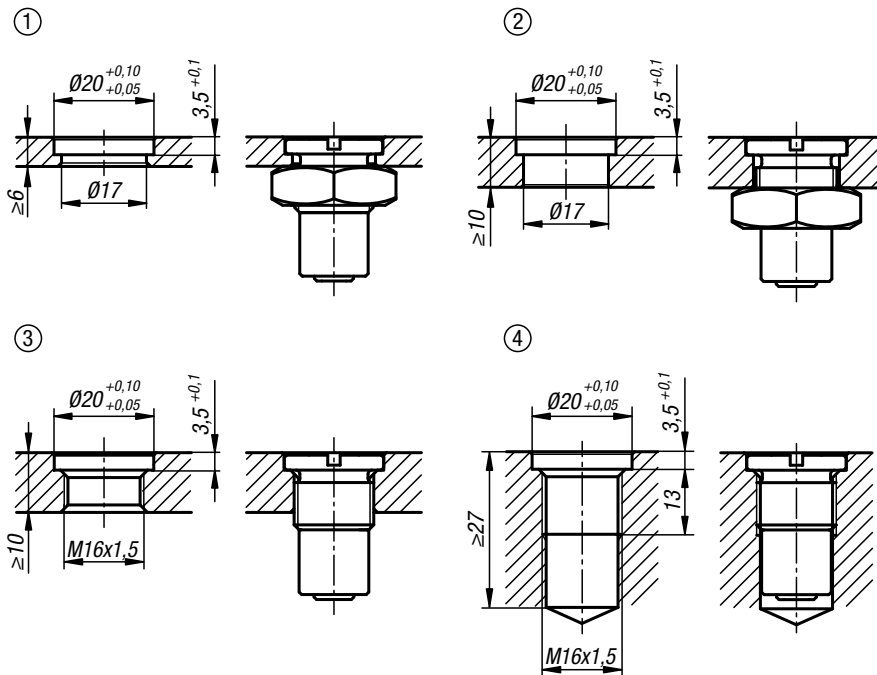
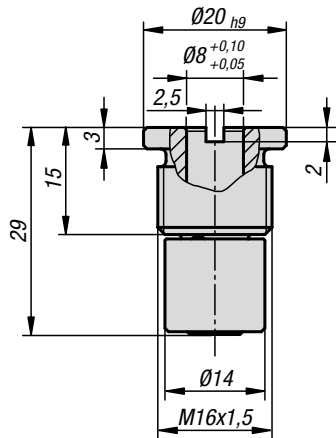


Ball lock bushes



Material:

Housing steel.
Balls and springs stainless steel.

Version:

Housing nickel-plated.
Balls tempered.

Sample order:

K1066.7

Note:

The 3 balls inside the bushing hold the locking pin with the specified retaining force.

Installation option 1: min. plate thickness 6 mm.

Installation option 2: max. plate thickness 10 mm.

Installation option 3: plate thickness > 10 mm.

Installation option 4: blind hole.

On request:

Suitable nuts.

Accessories:

Locking pin K1067.

KIPP Ball lock bushes

Order No.	Clamping force N	Shearing force kN	Temperature resistance
K1066.7	7	1,8	≤180 °C
K1066.15	15	1,8	≤180 °C

Ball lock bushes

with twist lock



Material:

Housing and locking elements steel.
Balls and springs stainless steel.

Version:

Housing and locking element nickel-plated.
Balls tempered.

Sample order:

K1066.71

Note:

The 3 balls inside the bushing hold the locking pin with the specified retaining force.

The element is secured or released by twisting the bottom part of the bush.

Installation option 1: min. plate thickness 6 mm.

Installation option 2: max. plate thickness 10 mm.

Installation option 3: plate thickness > 10 mm.

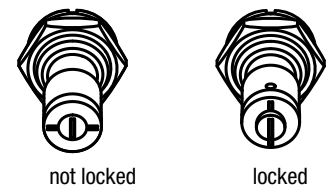
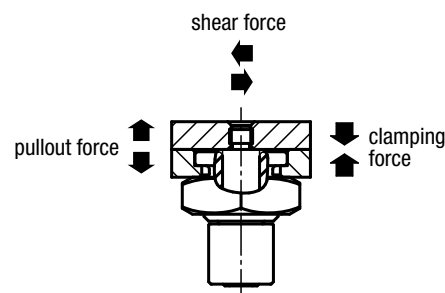
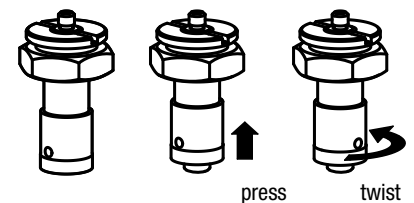
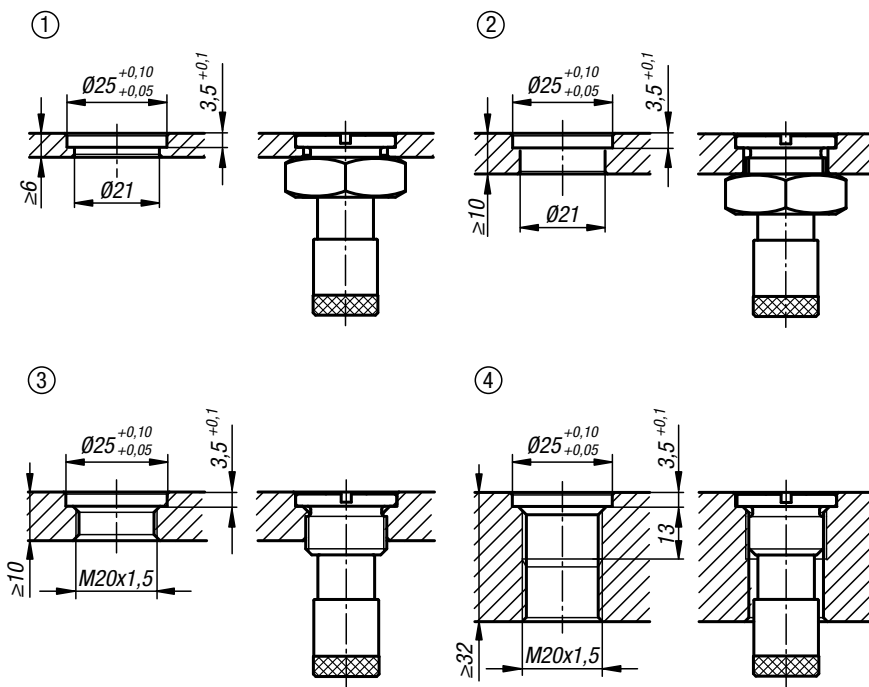
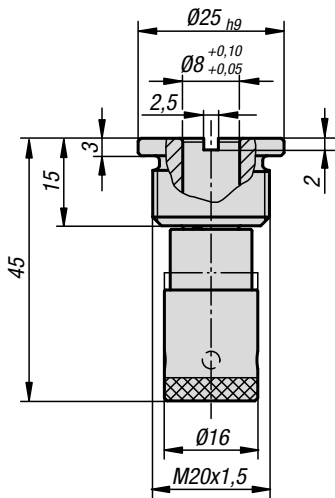
Installation option 4: blind hole.

On request:

Suitable nuts.

Accessories:

Locking pin K1067.



KIPP Ball lock bushes with twist lock

Order No.	Clamping force N	Shearing force kN	Pullout force F kN	Temperature resistance
K1066.71	7	1,8	1,8	≤180 °C
K1066.151	15	1,8	1,8	≤180 °C