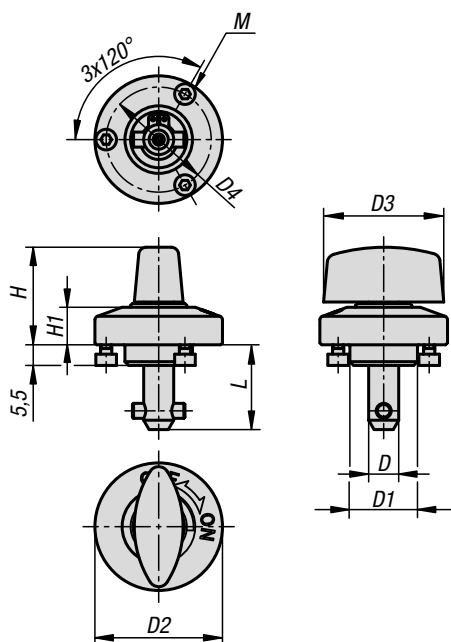


Quarter-turn clamp locks stainless steel

rotary knob plastic or stainless steel



Material:
 Housing stainless steel.
 Pin steel or stainless steel.
 Pin stainless steel.
 Twist knob stainless steel or thermoplastic PA (polyamide)

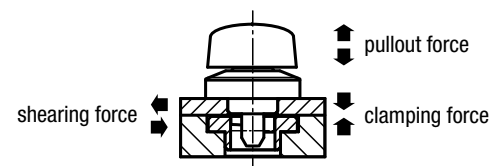
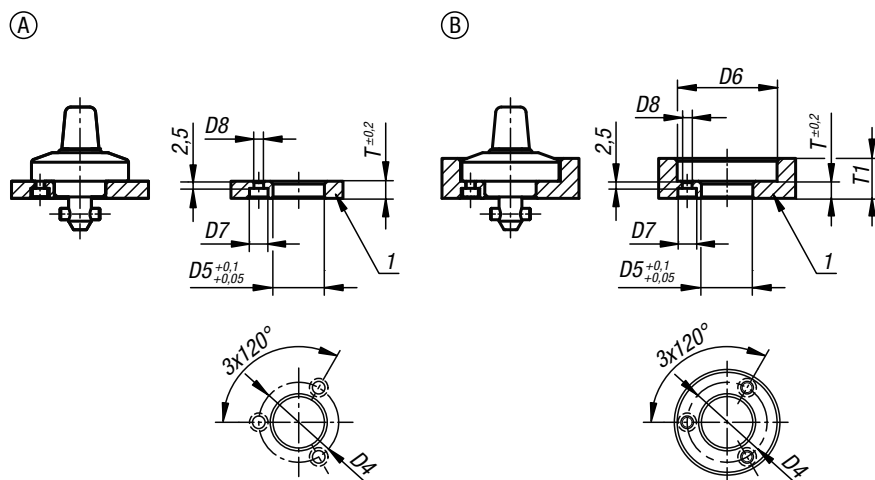
Version:
 Housing bright.
 Pin nickel plated or bright.
 Pin bright.
 Twist knob fibreglass reinforced PA, black.
 Twist knob stainless steel, bright.

Sample order:
 K1061.516

Note:
 M2 or M3 mounting screws are supplied.
 Form A mounting option for plate thickness 6 or 12 mm.
 Form B mounting option for plate thickness 12 to 20 mm.

Accessories:
 Clamping plates K1062

Drawing reference:
 1) plate



KIPP Quarter-turn clamp locks stainless steel, rotary knob plastic or stainless steel

Order No. plastic pins steel	Order No. stainless steel pins steel	Order No. stainless steel pin stainless steel	D	L	D1	D2	D3	D4	H	H1	M	D5	D6	D7	D8	T	T1
K1061.516	K1061.5161	K1061.15161	5	15,5	14	25	20	21	19 / 19 / 19	6,5	M2x3	14	26	4,4	2,4	6	6-10
K1061.817	K1061.8171	K1061.18171	8	17	18	34	32	28	26 / 25,5 / 25,5	10	M3x4	18	35	6,5	3,4	6	6-14
K1061.823	K1061.8231	K1061.18231	8	23	18	34	32	28	26 / 25,5 / 25,5	10	M3x4	18	35	6,5	3,4	12	12-20

KIPP Quarter-turn clamp lock, technical information

Order No. plastic pins steel	Order No. stainless steel pins steel	Order No. stainless steel pin stainless steel	D	L	Clamping force N	Shearing force kN	Pullout force F kN	Temperature resistance
K1061.516	K1061.5161	K1061.15161	5	15,5	60	1,8	1,2	≤130 °C / ≤200 °C / ≤200 °C
K1061.817	K1061.8171	K1061.18171	8	17	90	3,2	2,6	≤130 °C / ≤200 °C / ≤200 °C
K1061.823	K1061.8231	K1061.18231	8	23	90	3,2	2,6	≤130 °C / ≤200 °C / ≤200 °C

Quarter-turn clamp locks flat



Material:

Housing stainless steel.
Bolt steel
Pin stainless steel
Twist knob stainless steel.

Version:

Housing bright.
Bolt nickel plated.
Pin bright.
Twist knob stainless steel, bright.

Sample order:

K1061.5162

Note:

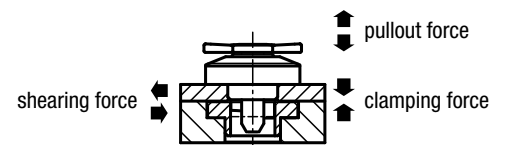
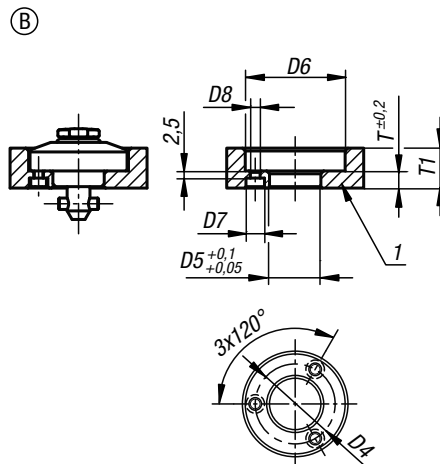
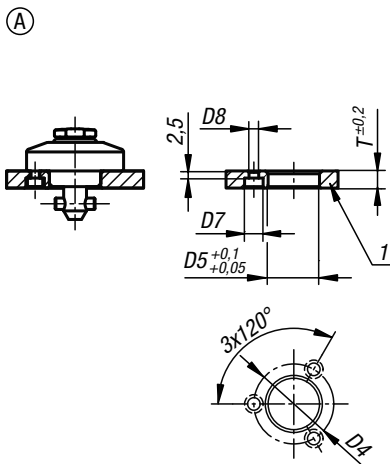
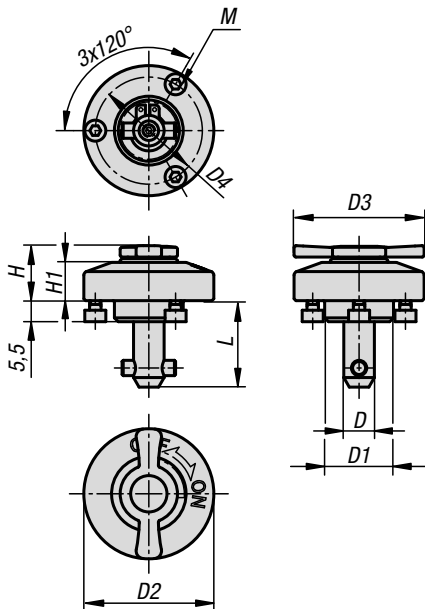
M2 or M3 mounting screws are supplied.
Form A mounting option for plate thickness 6 or 12 mm.
Form B mounting option for plate thickness 12 to 20 mm.

Accessories:

Clamping plates K1062

Drawing reference:

1) plate



KIPP Quarter-turn clamp locks, flat

Order No.	D	D1	D2	D3	D4	H	H1	L	M	D5	D6	D7	D8	T	T1
K1061.5162	5	14	25	20	21	11,5	6,5	15,5	M2x3	14	26	4,4	2,4	6	6-10
K1061.8172	8	18	34	32	28	15,4	10	17	M3x4	18	35	6,5	3,4	6	6-14
K1061.8232	8	18	34	32	28	15,4	10	23	M3x4	18	35	6,5	3,4	12	12-20

KIPP Quarter-turn clamp lock, technical information

Order No.	Clamping force N	Shearing force kN	Pullout force F kN	Temperature resistance
K1061.5162	60	1,8	1,2	≤200 °C
K1061.8172	90	3,2	2,6	≤200 °C
K1061.8232	90	3,2	2,6	≤200 °C