

Pull handles



Material:

Thermoplastic PA (polyamide), glass-bead reinforced.
Bush, screw, washer and nut steel or stainless steel.

Version:

Black grey

Sample order:

K1060.1100051

Note:

This pull handle is characterised by its large size and pleasant haptics.

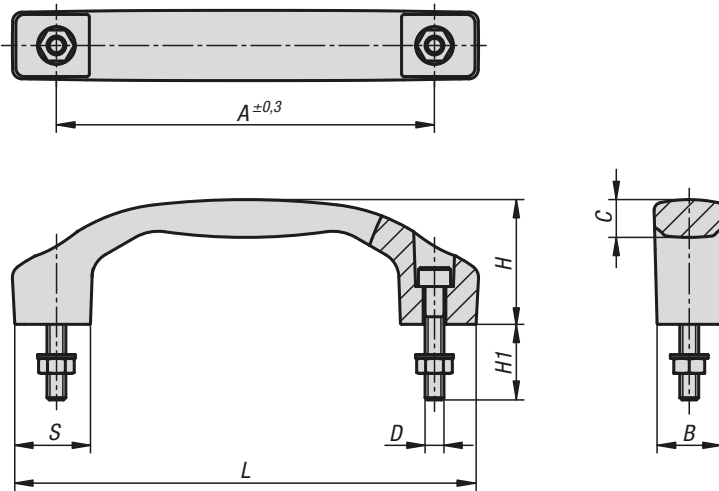
Form A is supplied with fastening screws, washers and nuts.

Assembly:

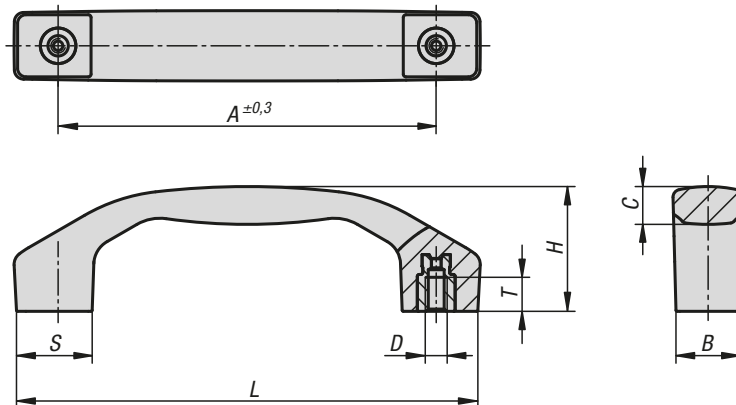
Form A from the front.

Form B from the rear.

Ⓐ



Ⓑ

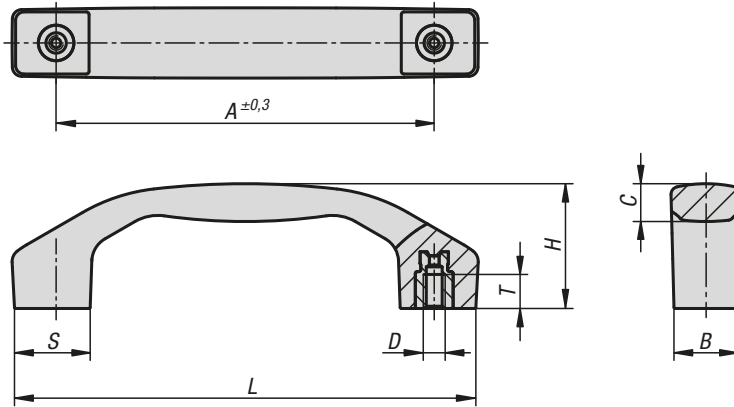


KIPP Pull handles

Order No.	Form	Component material	A	B	C	D	H	H1	L	S	T	Load capacity N
K1060.1100051	A	steel	100	17	9,5	M5	33	20	122	20	-	1000
K1060.1120061	A	steel	120	21	11,4	M6	39	25	146	24	-	1000
K1060.1140081	A	steel	140	24	14,2	M8	45	30	170	28	-	1000
K1060.1100052	A	stainless steel	100	17	9,5	M5	33	20	122	20	-	1000
K1060.1120062	A	stainless steel	120	21	11,4	M6	39	25	146	24	-	1000
K1060.1140082	A	stainless steel	140	24	14,2	M8	45	30	170	28	-	1000
K1060.2100051	B	steel	100	17	9,5	M5	33	-	122	20	9	1000
K1060.2120061	B	steel	120	21	11,4	M6	39	-	146	24	12	1000
K1060.2140081	B	steel	140	24	14,2	M8	45	-	170	28	12	1000
K1060.2100052	B	stainless steel	100	17	9,5	M5	33	-	122	20	9	1000
K1060.2120062	B	stainless steel	120	21	11,4	M6	39	-	146	24	12	1000
K1060.2140082	B	stainless steel	140	24	14,2	M8	45	-	170	28	12	1000

Pull handles

high temperature resistant



Material:

Thermoplastic PPA (resistant to high temperatures), fibreglass reinforced.
Bush, stainless steel.

Version:

black.

Sample order:

K1060.2100054

Note:

This pull handle is characterised by its large size and pleasant haptics.
Easy to clean due to its closed, smooth design (suitable for e.g. foodstuff production and medical technology).

Temperature range:

Continuous operating temperature acc. to IEC 216 max. 160 °C.

Short-term operating temperature: max. 250 °C.

Suitable for steam sterilisation (medical technology).

Assembly:

From the rear.

KIPP Pull handles, high temperature resistant

Order No.	Form	A	B	C	D	H	L	S	T	Load capacity N
K1060.2100054	B	100	17	10,3	M5	34	122,5	20	9	1000
K1060.2120064	B	120	21	12,4	M6	41	146	24	12	1000
K1060.2140084	B	140	24	15,4	M8	46,5	170	28	12	1000