

Cover and adapter profiles

Type B and Type I



Material:

Type I polypropylene.

Type B polypropylene + TPE.

Version:

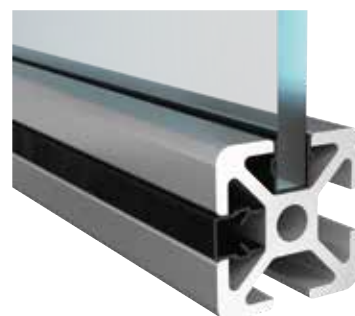
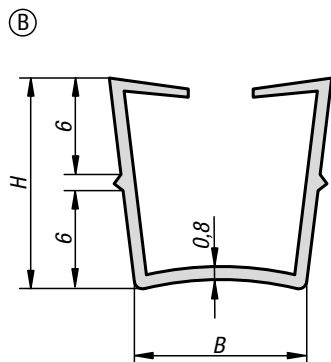
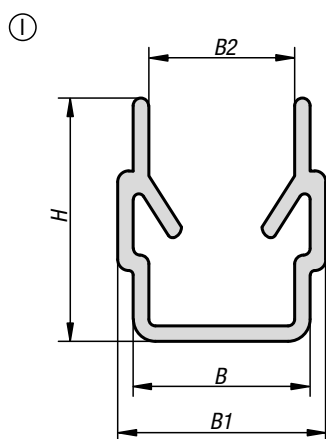
black or bright.

Sample order:

K1054.06120351

Note:

The cover and adapter profile made of flexible plastic are used for two different applications. As a cover profile it seals the profile slots against dust and dirt. As an adapter profile with the open side facing out it is used to hold panel elements.



KIPP Cover and adapter profiles Type B and Type I

Order No.	Main colour	Type	Slot width	B	B1	B2	H	Length	Panel element
K1054.06120351	black	I	6	6	7	4,4	9,1	2000	2,0 - 3,5
K1054.06120350	natural	I	6	6	7	4,4	9,1	2000	2,0 - 3,5
K1054.08120601	black	I	8	8	9,4	6,6	9,1	2000	2,0 - 6,0
K1054.08140601	black	I	8	8	9,4	6,6	11	2000	4,0 - 6,0
K1054.08140600	natural	I	8	8	9,4	6,6	11	2000	4,0 - 6,0
K1054.10220601	black	B	10	10	-	-	13	2000	2,0 - 6,0