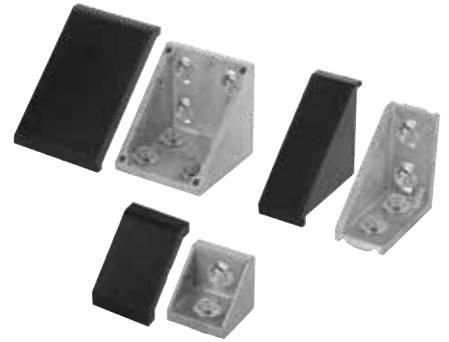
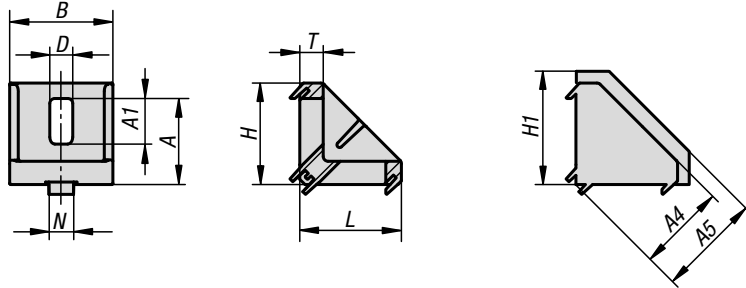


Angle sets

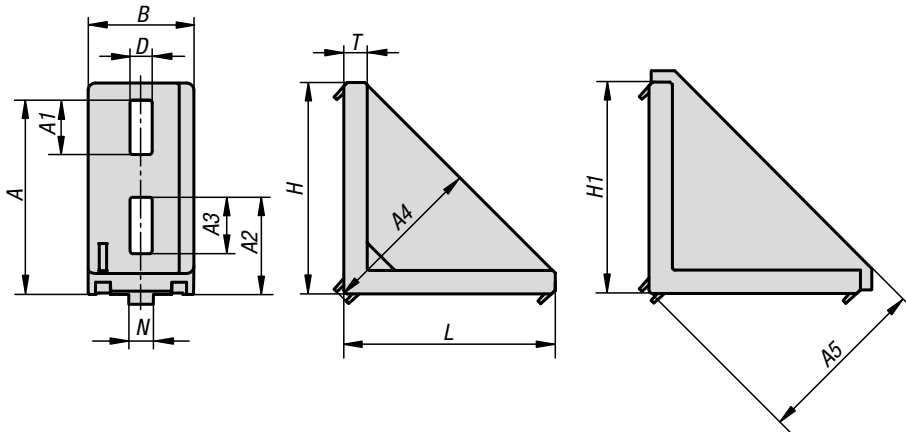
Type B



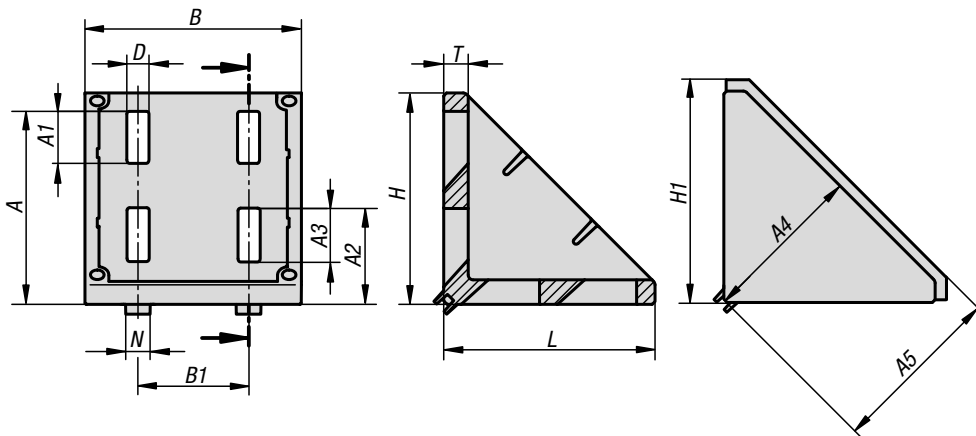
30x30 / 40x40 / 45x45



30x60 / 40x80 / 45x90



80x80 / 90x90



Material:

Angle die-cast aluminium.

Screws and slot nuts steel.

End cap polyamide, fibreglass reinforced.

Version:

Angle bright.

Screws and slot nuts electro zinc-plated.

End cap black.

Sample order:

K1046.104040

Note:

Suitable for reinforcing profile constructions and for frictional connection of profiles with each other without machining. Can also be used as fastening element (e.g. bracket) for any components.

The angles have centring lugs for accurate and twist-proof mounting. The centring lugs can be removed if necessary by breaking off i.e. for mounting plates. The open side can be closed off with the end cap.



KIPP Angle sets Type B

Order No.	Type	Slot width	Version	A	A1	A2	A3	A4	A5	B	B1	D	H	H1	L	N	T
K1046.083030	B	8	30x30	22	9,5	-	-	23	29	28	-	6,4	27	30	27	8	6
K1046.083060	B	8	30x60	51	11	23	11	44	49	28	-	6,4	57	61	57	8	5,5
K1046.104040	B	10	40 x 40	29,5	20,5	-	-	29,5	36,5	38	-	9	36	41,5	36	10	5,5
K1046.104545	B	10	45 x 45	35	18,5	-	-	35	44,5	42	-	9	41	50,5	41	10	9,5
K1046.104080	B	10	40 x 80	68	20	35	23	59	64	38	-	9	76	80	76	10	8,5
K1046.104590	B	10	45 x 90	79	22	39,5	23	67	72	43	-	9	86	90	86	10	9,5
K1046.108080	B	10	80 x 80	68,5	20	35	20	58,5	65	74	40	9	76	82,5	76	10	8
K1046.109090	B	10	90 x 90	78,5	21	39	22	67	75	88	45	9	86	94,5	86	10	10