

Straps

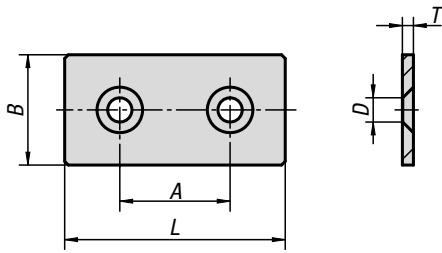


Material:
Steel.

Version:
black powder-coated.

Sample order:
K1042.06

Note:
Universal fastening element for a rigid connection and linkage of profiles, panel elements or lightweight shelving.



KIPP Straps

Order No.	Type	Slot width	A	B	D for screw	L	T
K1042.061	I	6	30	30	M6	60	3
K1042.081	B & I	8/10	40	40	M8	80	5
K1042.101	B	8/10	45	45	M8	90	5

K1043

Angles

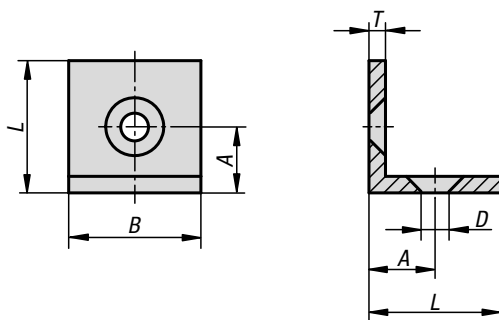


Material:
Steel.

Version:
black powder-coated.

Sample order:
K1043.06

Note:
Universal fastening element for a rigid connection and linkage of profiles, panel elements or lightweight shelving.



KIPP Angles

Order No.	Type	Slot width	A	B	D for screw	L	T
K1043.061	I	6	15	30	M6	30	3
K1043.081	I	8/10	20	40	M8	40	5