

## Central screw

Type B



**Material:**

Steel.

**Version:**

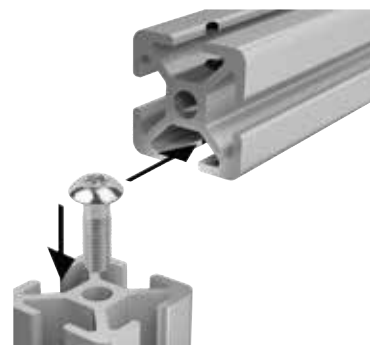
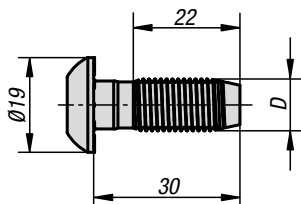
Electro zinc-plated.

**Sample order:**

K1040.1012

**Note:**

Self-tapping screw for end face core hole. Ideal for fastenings without an angle or additional connectors not exposed to high loads.



### KIPP Central screw Type B

Order No.	Type	Slot width	D	SW
K1040.1012	B	10	S12	T50