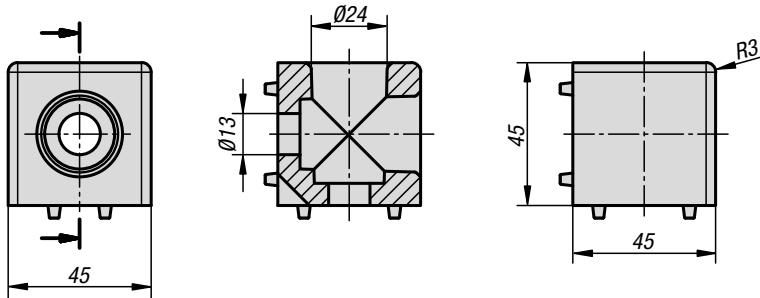


Cube connector sets

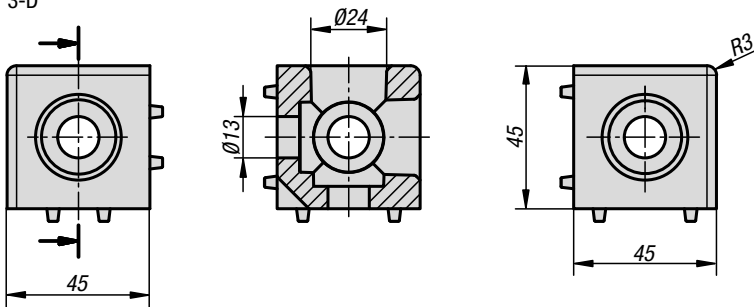
Type B



2-D



3-D



Material:

Cube die-cast aluminium.
Screws steel.
End caps polyamide.

Version:

Aluminium bright.
Screws with self-tapping thread.
End cap black.

Sample order:

K1039.102

Note:

The cube connector can be used to connect two or three profiles to each other by the end faces. The cube connectors have guide lugs that ensure a perfect and secure installation. Fastening to the profile is carried out by self-tapping screws. The open holes can be closed off with the end caps.

The profile slots positioned at right-angles to each other remain free. Panel elements can be positioned in the profile slots without additional machining.



KIPP Cube connector sets Type B

Order No.	Type	Slot width	Version
K1039.102	B	10	2-D
K1039.103	B	10	3-D